

## TUSB4041I Four-Port USB 2.0 Hub

### 1 Features

- Four Port USB 2.0 Hub
- USB 2.0 Hub Features
  - Multi Transaction Translator (MTT) Hub: Four Transaction Translators
  - Four Asynchronous Endpoint Buffers per Transaction Translator
- Supports USB Battery Charging
  - CDP Mode (Upstream Port Connected)
  - DCP Mode (Upstream Port Unconnected)
  - DCP Mode Complies With Chinese Telecommunications Industry Standard YD/T 1591-2009
  - Supports D+ and D– Divider Mode
- Per Port or Ganged Power Switching and Overcurrent Notification Inputs
- OTP ROM, Serial EEPROM or I<sup>2</sup>C and SMBus Slave Interface for Custom Configurations:
  - V<sub>ID</sub> and P<sub>ID</sub>
  - Customizable Ports
  - Manufacturer and Product Strings (not by OTP ROM)
  - Serial Number (not by OTP ROM)
- Application Feature Selection Using Pin Selection or EEPROM, I<sup>2</sup>C, or SMBus Slave Interface
- Provides 128-Bit Universally Unique Identifier (UUID)
- Supports On-Board and In-System OTP and EEPROM Programming Through the USB 2.0 Upstream Port
- Single Clock Input, 24-MHz Crystal or Oscillator

- DM/DP Polarity Swap
- Type C Compatible
- No Special Driver Requirements; Works Seamlessly on any Operating System With USB Stack Support
- 64-Pin HTQFP Package (PAP)

### 2 Applications

- Computer Systems
- Docking Stations
- Monitors
- Set-Top Boxes

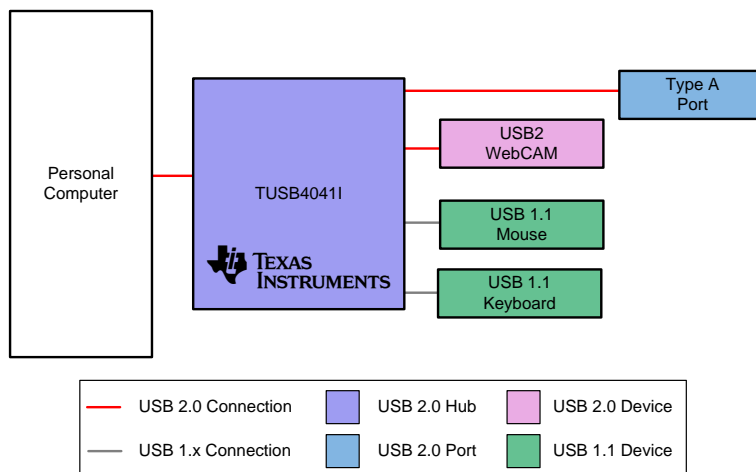
### 3 Description

The TUSB4041I device is a four-port USB 2.0 hub. The device provides USB high-speed or full-speed connections on the upstream port. The device also provides USB high-speed, full-speed, or low-speed connections on the downstream ports. When the upstream port is connected to an electrical environment that only supports high-speed, full-speed, and low-speed connections, the USB high-speed, full-speed and low-speed connectivity is enabled on the downstream ports. When the upstream port is connected to an electrical environment that only supports full-speed or low-speed connections, the USB high-speed connectivity are disabled on the downstream ports.

#### Device Information<sup>(1)</sup>

| PART NUMBER | PACKAGE    | BODY SIZE (NOM)     |
|-------------|------------|---------------------|
| TUSB4041I   | HTQFP (64) | 10.00 mm x 10.00 mm |

(1) For all available packages, see the orderable addendum at the end of the data sheet.



Copyright © 2016, Texas Instruments Incorporated



## Table of Contents

|  |           |  |           |
|--|-----------|--|-----------|
| <b>1 Features</b> .....                        | <b>1</b>  | 8.5 Register Maps .....  | <b>16</b> |
| <b>2 Applications</b> .....                    | <b>1</b>  | <b>9 Application and Implementation</b> .....                    | <b>29</b> |
| <b>3 Description</b> .....                     | <b>1</b>  | 9.1 Application Information .....                                | <b>29</b> |
| <b>4 Revision History</b> .....                | <b>2</b>  | 9.2 Typical Application .....                                    | <b>29</b> |
| <b>5 Description (continued)</b> .....         | <b>3</b>  | <b>10 Power Supply Recommendations</b> .....                     | <b>36</b> |
| <b>6 Pin Configuration and Functions</b> ..... | <b>4</b>  | 10.1 TUSB4041I Power Supply .....                                | <b>36</b> |
| <b>7 Specifications</b> .....                  | <b>8</b>  | 10.2 Downstream Port Power .....                                 | <b>36</b> |
| 7.1 Absolute Maximum Ratings .....             | <b>8</b>  | 10.3 Ground .....  | <b>36</b> |
| 7.2 ESD Ratings .....                          | <b>8</b>  | <b>11 Layout</b> .....   | <b>37</b> |
| 7.3 Recommended Operating Conditions .....     | <b>9</b>  | 11.1 Layout Guidelines .....                                     | <b>37</b> |
| 7.4 Thermal Information .....                  | <b>9</b>  | 11.2 Layout Example .....  | <b>38</b> |
| 7.5 3.3-V I/O Electrical Characteristics ..... | <b>9</b>  | <b>12 Device and Documentation Support</b> .....                 | <b>39</b> |
| 7.6 Power-Up Timing Requirements .....         | <b>10</b> | 12.1 Documentation Support .....                                 | <b>39</b> |
| 7.7 Hub Input Supply Current .....             | <b>10</b> | 12.2 Receiving Notification of Documentation Updates .....       | <b>39</b> |
| <b>8 Detailed Description</b> .....            | <b>11</b> | 12.3 Community Resource .....                                    | <b>39</b> |
| 8.1 Overview .....                             | <b>11</b> | 12.4 Trademarks .....  | <b>39</b> |
| 8.2 Functional Block Diagram .....             | <b>11</b> | 12.5 Electrostatic Discharge Caution .....                       | <b>39</b> |
| 8.3 Feature Description .....                  | <b>12</b> | 12.6 Glossary .....  | <b>39</b> |
| 8.4 Device Functional Modes .....              | <b>15</b> | <b>13 Mechanical, Packaging, and Orderable Information</b> ..... | <b>39</b> |

## 4 Revision History

NOTE: Page numbers for previous revisions may differ from page numbers in the current version.

|  |             |
|--|-------------|
| <b>Changes from Revision D (July 2017) to Revision E</b> .....   | <b>Page</b> |
| • Changed smbusRst From: Bit 6 To: Bit 1, and cfgActive1 From: Bit 5 To: Bit 0 <a href="#">Table 25</a> .....  | <b>28</b>   |
| <b>Changes from Revision C (September 2016) to Revision D</b> .....  | <b>Page</b> |
| • Deleted paragraph: "Each bit corresponds directly to a downstream port. For example: used0 corresponds to downstream port 1, used1 corresponds to downstream port 2, and so on. All combinations are supported with the exception of both ports 1 and 3 marked as disabled." from <a href="#">Table 12</a> ..... | <b>21</b>   |
| <b>Changes from Revision B (December 2015) to Revision C</b> .....   | <b>Page</b> |
| • Added SMBUS Programming current to <a href="#">Hub Input Supply Current</a> .....  | <b>10</b>   |
| • Added NOTE to the <a href="#">SMBus Slave Operation</a> section .....  | <b>15</b>   |
| • Added text "This device will always report the XORed PID LSB value of 0x42" to the Description of <a href="#">Table 7</a> .....  | <b>18</b>   |
| <b>Changes from Revision A (September 2015) to Revision B</b> .....  | <b>Page</b> |
| • Changed the configuration of the PWRCTL_POL pin (R17) in the <i>Clock, Reset, and Miscellaneous</i> section .....  | <b>34</b>   |
| <b>Changes from Original (July 2015) to Revision A</b> .....   | <b>Page</b> |
| • Changed pin number for USB_DP_DN1 and USB_DP_DN2 in the <i>Pin Functions</i> table .....   | <b>6</b>    |

## 5 Description (continued)

The TUSB4041I device supports per-port or ganged power switching and overcurrent protection. The device also supports battery charging applications.

An individually port-power-controlled hub switches power on or off to each downstream port as requested by the USB host. Also when an individually port-power-controlled hub senses an overcurrent event, only power to the affected downstream port is switched off.

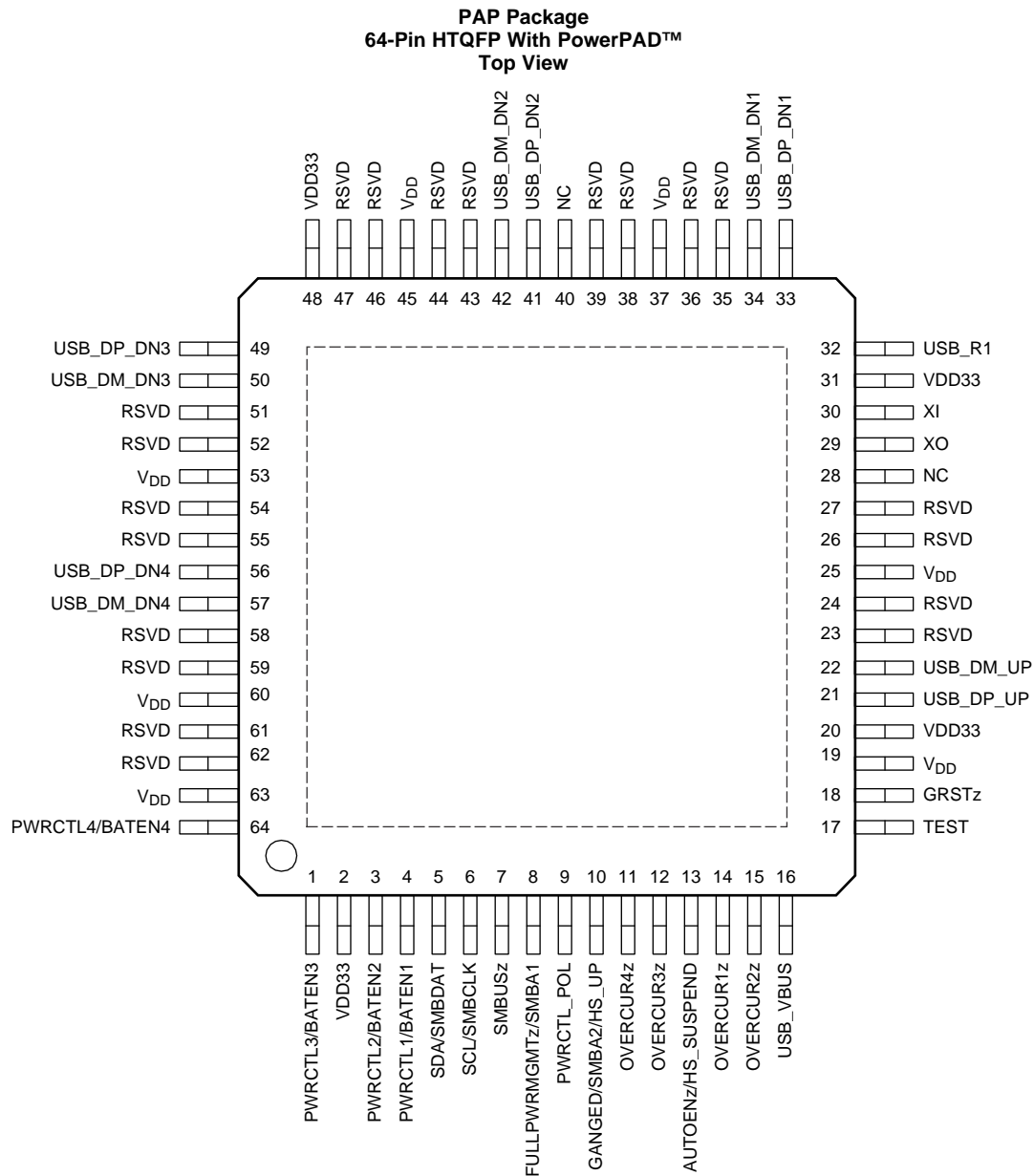
A ganged hub switches on power to all of the downstream ports when power is required to be on for any port. The power to the downstream ports is not switched off unless all ports are in a state that allows power to be removed. Also, when a ganged hub senses an overcurrent event, power to all downstream ports are switched off.

The TUSB4041I device downstream ports provide support for battery charging applications by providing USB battery charging downstream-port (CDP) handshaking support. The device also supports a dedicated charging-port (DCP) mode when the upstream port is not connected. The DCP mode is compliant with the USB battery charging specification and Chinese Telecommunications Industry Standard YD/T 1591-2009. Also, an automatic mode provides transparent support for BC devices and devices supporting divider-mode charging solutions when the upstream port unconnected.

The TUSB4041I device provides pin-strap configuration for some features including battery charging support, and also provides customization through OTP ROM, I<sup>2</sup>C EEPROM, or through an I<sup>2</sup>C and SMBus slave interface for P<sub>ID</sub>, V<sub>ID</sub>, and custom port and phy configurations. Custom string support is also available when using an I<sup>2</sup>C EEPROM or the I<sup>2</sup>C and SMBus slave interface.

The device is available in a 64-pin PAP package and is offered in an industrial version for operation over the temperature range of –40°C to 85°C.

## 6 Pin Configuration and Functions



### Pin Functions

| PIN                            |     | I/O <sup>(1)</sup> | TYPE <sup>(1)</sup> | DESCRIPTION   |
|--------------------------------|-----|--------------------|---------------------|---|
| NAME                           | NO. |                    |                     |   |
| <b>CLOCK AND RESET SIGNALS</b> |     |                    |                     |   |
| GRSTz                          | 18  | I                  | PU                  | Global power reset. This reset brings all of the TUSB4041I device internal registers to the default state. When the GRSTz pin is asserted, the device is completely nonfunctional.  |
| XI                             | 30  | I                  | —                   | Crystal input. This pin is the crystal input for the internal oscillator. The input may alternately be driven by the output of an external oscillator. When using a crystal, a 1-MΩ feedback resistor is required between the XI and XO pins. |

(1) I = Input, O = Output, I/O = Input/output, PU = Internal pullup resistor, PD = Internal pulldown resistor, and PWR = Power signal

**Pin Functions (continued)**

| PIN                           |     | I/O <sup>(1)</sup> | TYPE <sup>(1)</sup> | DESCRIPTION  |
|-------------------------------|-----|--------------------|---------------------|--|
| NAME                          | NO. |                    |                     |  |
| XO                            | 29  | O                  | —                   | Crystal output. This pin is the crystal output for the internal oscillator. If the XI pin is driven by an external oscillator, this pin may be left unconnected. When using a crystal, a 1-M $\Omega$ feedback resistor is required between the XI and XO pins.  |
| <b>USB UPSTREAM SIGNALS</b>   |     |                    |                     |  |
| USB_DM_UP                     | 22  | I/O                | —                   | USB high-speed differential transceiver (negative)   |
| USB_DP_UP                     | 21  | I/O                | —                   | USB high-speed differential transceiver (positive)   |
| USB_R1                        | 32  | I                  | —                   | Precision resistor reference. Connect a 9.53-k $\Omega$ $\pm$ 1% resistor between the USB_R1 pin and ground.   |
| USB_VBUS                      | 16  | I                  | —                   | USB upstream port power monitor. The VBUS detection requires a voltage divider. The signal USB_VBUS must be connected to VBUS through a 90.9-k $\Omega$ $\pm$ 1% resistor and to ground through a 10-k $\Omega$ $\pm$ 1% resistor from the signal to ground.   |
| <b>USB DOWNSTREAM SIGNALS</b> |     |                    |                     |  |
| OVERCUR1z                     | 14  | I                  | PU                  | <p>USB port 1 overcurrent detection. This pin is used to connect the overcurrent output of the downstream port power switch for port 1.</p> <p>0 = An overcurrent event occurred.<br/>1 = An overcurrent event has not occurred.</p> <p>This pin can be left unconnected if power management is not implemented. If power management is enabled, the necessary external circuitry should be determined by the power switch.</p>                      |
| OVERCUR2z                     | 15  | I                  | PU                  | <p>USB port 2 overcurrent detection. This pin is used to connect the overcurrent output of the downstream port power switch for port 2.</p> <p>0 = An overcurrent event occurred.<br/>1 = An overcurrent event has not occurred.</p> <p>If power management is not implemented, leave this pin unconnected. If power management is enabled, the necessary external circuitry should be determined by the power switch.</p>                           |
| OVERCUR3z                     | 12  | I                  | PU                  | <p>USB port 3 overcurrent detection. This pin is used to connect the overcurrent output of the downstream port power switch for port 3.</p> <p>0 = An overcurrent event occurred.<br/>1 = An overcurrent event has not occurred.</p> <p>This pin can be left unconnected if power management is not implemented. If power management is enabled, the necessary external circuitry should be determined by the power switch.</p>                      |
| OVERCUR4z                     | 11  | I                  | PU                  | <p>USB port 4 overcurrent detection. This pin is used to connect the overcurrent output of the downstream port power switch for port 4.</p> <p>0 = An overcurrent event occurred.<br/>1 = An overcurrent event has not occurred.</p> <p>This pin can be left unconnected if power management is not implemented. If power management is enabled, the necessary external circuitry should be determined by the power switch.</p>                      |
| PWRCTL1/BATEN1                | 4   | I/O                | PD                  | <p>USB port 1 power-on control for downstream power and battery charging enable. The pin is used for control of the downstream power switch for port 1.</p> <p>The value of the pin is sampled at the deassertion of reset to determine the value of the battery charging support for port 1 as indicated in the <a href="#">Battery Charging Support Register</a>.</p> <p>0 = Battery charging not supported<br/>1 = Battery charging supported</p> |
| PWRCTL2/BATEN2                | 3   | I/O                | PD                  | <p>USB port 2 power-on control for downstream power and battery charging enable. The pin is used for control of the downstream power switch for port 2.</p> <p>The value of the pin is sampled at the deassertion of reset to determine the value of the battery charging support for Port 2 as indicated in the <a href="#">Battery Charging Support Register</a>.</p> <p>0 = Battery charging not supported<br/>1 = Battery charging supported</p> |

**Pin Functions (continued)**

| PIN                                     |     | I/O <sup>(1)</sup> | TYPE <sup>(1)</sup> | DESCRIPTION  |
|---|-----|--------------------|---------------------|--|
| NAME                                    | NO. |                    |                     |  |
| PWRCTL3/BATEN3                          | 1   | I/O                | PD                  | USB port 3 power-on control for downstream power and battery charging enable. The pin is used for control of the downstream power switch for port 3.<br>The value of the pin is sampled at the deassertion of reset to determine the value of the battery charging support for Port 3 as indicated in the <a href="#">Battery Charging Support Register</a> .<br>0 = Battery charging not supported<br>1 = Battery charging supported  |
| PWRCTL4/BATEN4                          | 64  | I/O                | PD                  | USB port 4 power-on control for downstream power and battery charging enable. The pin is used for control of the downstream power switch for port 4.<br>The value of the pin is sampled at the deassertion of reset to determine the value of the battery charging support for Port 4 as indicated in the <a href="#">Battery Charging Support Register</a> .<br>0 = Battery charging not supported<br>1 = Battery charging supported  |
| USB_DM_DN1                              | 34  | I/O                | —                   | USB high-speed differential transceiver (negative)   |
| USB_DM_DN2                              | 42  |                    |                     |  |
| USB_DM_DN3                              | 50  |                    |                     |  |
| USB_DM_DN4                              | 57  |                    |                     |  |
| USB_DP_DN1                              | 33  | I/O                | —                   | USB high-speed differential transceiver (positive)   |
| USB_DP_DN2                              | 41  |                    |                     |  |
| USB_DP_DN3                              | 49  |                    |                     |  |
| USB_DP_DN4                              | 56  |                    |                     |  |
| <b>I<sup>2</sup>C AND SMBus SIGNALS</b> |     |                    |                     |  |
| SCL/SMBCLK                              | 6   | I/O                | PD                  | I <sup>2</sup> C clock/SMBus clock. The function of this pin depends on the setting of the SMBUSz input.<br>When SMBUSz = 1, this pin functions as the serial clock interface for an I <sup>2</sup> C EEPROM.<br>When SMBUSz = 0, this pin functions as the serial clock interface for an SMBus host.<br>This pin can be left unconnected if external interface not implemented.   |
| SDA/SMBDAT                              | 5   | I/O                | PD                  | I <sup>2</sup> C data/SMBus data. The function of this pin depends on the setting of the SMBUSz input.<br>When SMBUSz = 1, this pin functions as the serial data interface for an I <sup>2</sup> C EEPROM.<br>When SMBUSz = 0, this pin functions as the serial data interface for an SMBus host.<br>This pin can be left unconnected if the external interface is not implemented.  |
| SMBUSz                                  | 7   | I/O                | PU                  | I <sup>2</sup> C/SMBus mode select. The value of the pin is sampled at the deassertion of reset set I <sup>2</sup> C or SMBus mode as follows:<br>1 = I <sup>2</sup> C mode selected<br>0 = SMBus mode selected<br>This pin can be left unconnected if the external interface is not implemented.<br>After reset, this signal is driven low by the TUSB4041I. Because of this behavior, TI recommends not to tie directly to supply, but instead pull up or pull down using external resistor. |

**Pin Functions (continued)**

| PIN                                   |   | I/O <sup>(1)</sup> | TYPE <sup>(1)</sup> | DESCRIPTION  |
|---------------------------------------|---|--------------------|---------------------|--|
| NAME                                  | NO.   |                    |                     |  |
| <b>TEST AND MISCELLANEOUS SIGNALS</b> |   |                    |                     |  |
| AUTOENz/<br>HS_SUSPEND                | 13  | I/O                | PU                  | <p>Automatic charge mode enable/HS suspend status</p> <p>The value of the pin is sampled at the deassertion of reset to determine if automatic mode is enabled as follows:</p> <p>0 = Automatic mode is enabled on ports that are enabled for battery charging when the hub is unconnected. Note that CDP is not supported on port 1 when operating in automatic mode.</p> <p>1 = Automatic mode is disabled.</p> <p>This value is also used to set the autoEnz bit in the <a href="#">Battery Charging Support Register</a>.</p> <p>After reset, this signal indicates the high-speed USB Suspend status of the upstream port if enabled through the <a href="#">Additional Feature Configuration Register</a>. When enabled, a value of 1 indicates the connection is suspended.</p>   |
| FULLPWRMGMTz/<br>SMBA1                | 8   | I/O                | PD                  | <p>Full power management enable/SMBus address bit 1</p> <p>The value of the pin is sampled at the deassertion of reset to set the power switch control follows:</p> <p>0 = Power switching and overcurrent inputs supported</p> <p>1 = Power switching and overcurrent inputs not supported</p> <p>Full power management is the ability to control power to the downstream ports of the TUSB40411 device using PWRCTL[4:1]/BATEN[4:1].</p> <p>When SMBus mode is enabled using SMBUSz, this pin sets the value of the SMBus slave address bit 1.</p> <p>This pin can be left unconnected if full power management and SMBus are not implemented.</p> <p>After reset, this signal is driven low by the TUSB40411. Because of this behavior, TI recommends not to tie directly to supply, but instead pull up or pull down using an external resistor.</p> <p>Note: Power switching must be supported for battery charging applications.</p> |
| GANGED/SMBA2/<br>HS_UP                | 10  | I/O                | PD                  | <p>Ganged operation enable/SMBus address bit 2/HS connection status upstream port</p> <p>The value of the pin is sampled at the deassertion of reset to set the power switch and overcurrent detection mode as follows:</p> <p>0 = Individual power control supported when power switching is enabled</p> <p>1 = Power control gangs supported when power switching is enabled</p> <p>When SMBus mode is enabled using SMBUSz, this pin sets the value of the SMBus slave address bit 2.</p> <p>After reset, this signal indicates the high-speed USB connection status of the upstream port if enabled through the <a href="#">Additional Feature Configuration Register</a>. When enabled, a value of 1 indicates the upstream port is connected to a high-speed USB capable port.</p> <p>Note: Individual power control must be enabled for battery charging applications.</p>  |
| PWRCTL_POL                            | 9   | I/O                | PU                  | <p>Power control polarity.</p> <p>The value of the pin is sampled at the deassertion of reset to set the polarity of PWRCTL[4:1].</p> <p>0 = PWRCTL polarity is active low</p> <p>1 = PWRCTL polarity is active high</p>   |
| RSVD                                  | 23, 24,<br>26, 27,<br>35, 36,<br>38, 39,<br>43, 44,<br>46, 47,<br>51, 52,<br>54, 55,<br>58, 59,<br>61, 62 | I/O                |                     | Reserved. For internal use only and leave unconnected on the PCB.  |

**Pin Functions (continued)**

| PIN                             |     | I/O <sup>(1)</sup> | TYPE <sup>(1)</sup> | DESCRIPTION  |
|---------------------------------|-----|--------------------|---------------------|--|
| NAME                            | NO. |                    |                     |  |
| TEST                            | 17  | I                  | PD                  | This pin is reserved for factory test.               |
| <b>POWER AND GROUND SIGNALS</b> |     |                    |                     |  |
| NC                              | 28  | —                  | —                   | No connection, leave floating                        |
|                                 | 40  |                    |                     |  |
| V <sub>DD</sub>                 | 19  | —                  | PWR                 | 1.1-V power rail                                     |
|                                 | 25  |                    |                     |  |
|                                 | 37  |                    |                     |  |
|                                 | 45  |                    |                     |  |
|                                 | 53  |                    |                     |  |
|                                 | 60  |                    |                     |  |
| V <sub>DD33</sub>               | 2   | —                  | PWR                 | 3.3-V power rail                                     |
|                                 | 20  |                    |                     |  |
|                                 | 31  |                    |                     |  |
|                                 | 48  |                    |                     |  |
| Thermal Pad                     |     | —                  | —                   | Ground. The thermal pad must be connected to ground. |

## 7 Specifications

### 7.1 Absolute Maximum Ratings

 over operating free-air temperature (unless otherwise noted)<sup>(1)</sup>

|                                       |   | MIN  | MAX  | UNIT |
|---------------------------------------|---|------|------|------|
| Supply voltage                        | V <sub>DD</sub> steady-state supply voltage   | -0.3 | 1.4  | V    |
|                                       | V <sub>DD33</sub> steady-state supply voltage | -0.3 | 3.8  | V    |
| Voltage                               | USB_VBUS pin                                  | -0.3 | 1.4  | V    |
|                                       | XI pins                                       | -0.3 | 2.45 | V    |
|                                       | All other pins                                | -0.3 | 3.8  | V    |
| Storage temperature, T <sub>stg</sub> |   | -65  | 150  | °C   |

- (1) Stresses beyond those listed as *Absolute Maximum Ratings* may cause permanent damage to the device. These are stress ratings only, and functional operation of the device at these or any other conditions beyond those indicated as *Recommended Operating Conditions* is not implied. Exposure to absolute-maximum-rated conditions for extended periods may affect device reliability.

### 7.2 ESD Ratings

|  |  | VALUE | UNIT |
|--|--|-------|------|
| V <sub>(ESD)</sub> Electrostatic discharge | Human-body model (HBM), per ANSI/ESDA/JEDEC JS-001 <sup>(1)</sup>              | ±4000 | V    |
|  | Charged-device model (CDM), per JEDEC specification JESD22-C101 <sup>(2)</sup> | ±1000 |      |

- (1) JEDEC document JEP155 states that 500-V HBM allows safe manufacturing with a standard ESD control process.  
 (2) JEDEC document JEP157 states that 250-V CDM allows safe manufacturing with a standard ESD control process.



### 7.3 Recommended Operating Conditions

over operating free-air temperature range (unless otherwise noted)

|                   |                                | MIN  | NOM | MAX   | UNIT |
|-------------------|--------------------------------|------|-----|-------|------|
| $V_{DD}^{(1)}$    | 1.1-V supply voltage           | 0.99 | 1.1 | 1.26  | V    |
| $V_{DD33}$        | 3.3-V supply voltage           | 3    | 3.3 | 3.6   | V    |
| $V_{(USB\_VBUS)}$ | Voltage at USB_VBUS pin        | 0    |     | 1.155 | V    |
| $T_A$             | Operating free-air temperature | –40  |     | 85    | °C   |
| $T_J$             | Operating junction temperature | –40  |     | 105   | °C   |

(1) A 1.05-V, 1.1-V, or 1.2-V supply may be used as long as minimum and maximum supply conditions are met.

### 7.4 Thermal Information

| THERMAL METRIC <sup>(1)</sup> | TUSB40411                                    |      | UNIT |
|-------------------------------|--|------|------|
|                               | PAP (HTQFP)                                  |      |      |
|                               | 64 PINS                                      |      |      |
| $R_{\theta JA}$               | Junction-to-ambient thermal resistance       | 26.2 | °C/W |
| $R_{\theta JC(top)}$          | Junction-to-case (top) thermal resistance    | 11.5 | °C/W |
| $R_{\theta JB}$               | Junction-to-board thermal resistance         | 10.4 | °C/W |
| $\psi_{JT}$                   | Junction-to-top characterization parameter   | 0.2  | °C/W |
| $\psi_{JB}$                   | Junction-to-board characterization parameter | 10.3 | °C/W |
| $R_{\theta JC(bot)}$          | Junction-to-case (bottom) thermal resistance | 0.6  | °C/W |

(1) For more information about traditional and new thermal metrics, see the [Semiconductor and IC Package Thermal Metrics](#) application report.

### 7.5 3.3-V I/O Electrical Characteristics

over operating free-air temperature range (unless otherwise noted)

| PARAMETER   | OPERATION   | TEST CONDITIONS | MIN | TYP | MAX                    | UNIT |
|-------------|---|-----------------|-----|-----|------------------------|------|
| $V_{IH}$    | High-level input voltage <sup>(1)</sup>   | $V_{DD33}$      | 2   |     | $V_{DD33}$             | V    |
| $V_{IL}$    | Low-level input voltage <sup>(1)</sup>  | JTAG pins only  | 0   |     | 0.55                   | V    |
|             |   | Other pins      | 0   |     | 0.8                    | V    |
| $V_I$       | Input voltage   |                 | 0   |     | $V_{DD33}$             | V    |
| $V_O$       | Output voltage <sup>(2)</sup>   |                 | 0   |     | $V_{DD33}$             | V    |
| $t_t$       | Input transition time ( $t_r$ and $t_f$ )   |                 | 0   |     | 25                     | ns   |
| $V_{hys}$   | Input hysteresis <sup>(3)</sup>   |                 |     |     | $0.13 \times V_{DD33}$ | V    |
| $V_{OH}$    | High-level output voltage   | $V_{DD33}$      | 2.4 |     |                        | V    |
| $V_{OL}$    | Low-level output voltage  | $V_{DD33}$      |     |     | 0.4                    | V    |
| $I_{OZ}$    | High-impedance, output current <sup>(2)</sup>   | $V_{DD33}$      |     |     | ±20                    | µA   |
| $I_{OZ(P)}$ | High-impedance, output current with internal pullup or pulldown resistor <sup>(4)</sup> | $V_{DD33}$      |     |     | ±250                   | µA   |
| $I_I$       | Input current <sup>(5)</sup>  | $V_{DD33}$      |     |     | ±15                    | µA   |

(1) Applies to external inputs and bidirectional buffers.

(2) Applies to external outputs and bidirectional buffers.

(3) Applies to GRSTz.

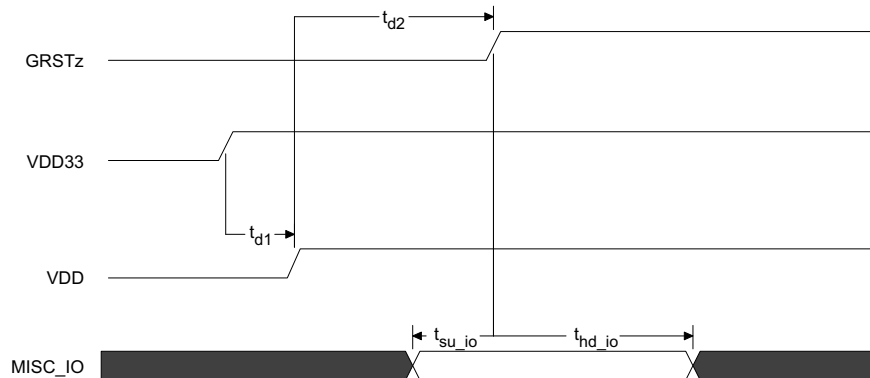
(4) Applies to pins with internal pull-ups and pull-downs.

(5) Applies to external input buffers.

## 7.6 Power-Up Timing Requirements

|                   |  | MIN                | NOM | MAX | UNIT    |
|-------------------|--|--------------------|-----|-----|---------|
| $t_{d1}$          | VDD33 stable before VDD stable <sup>(1)</sup>                            | See <sup>(2)</sup> |     |     | ms      |
| $t_{d2}$          | VDD and VDD33 stable before deassertion of GRSTz                         | 3                  |     |     | ms      |
| $t_{su\_io}$      | Setup for MISC inputs <sup>(3)</sup> sampled at the deassertion of GRSTz | 0.1                |     |     | $\mu$ s |
| $t_{hd\_io}$      | Hold for MISC inputs <sup>(3)</sup> sampled at the deassertion of GRSTz  | 0.1                |     |     | $\mu$ s |
| $t_{VDD33\_RAMP}$ | VDD33 supply ramp requirements   | 0.2                |     | 100 | ms      |
| $t_{VDD\_RAMP}$   | VDD supply ramp requirements   | 0.2                |     | 100 | ms      |

- (1) An active reset is required if the VDD33 supply is stable before the VDD11 supply. This active Reset shall meet the 3ms power-up delay counting from both power supplies being stable to the de-assertion of GRSTz.
- (2) The VDD33 and VDD have no power-on relationship unless GRSTz is only connected to a capacitor to GND. Then VDD must be stable minimum of 10  $\mu$ s before the VDD33.
- (3) MISC pins sampled at de-assertion of GRSTz: FULLPWRMGMTz, GANGED, PWRCTL\_POL, SMBUSz, BATEN[4:1], and AUTOENZ.



**Figure 1. Power-Up Timing Requirements**

## 7.7 Hub Input Supply Current

Typical values measured at  $T_A = 25^\circ\text{C}$

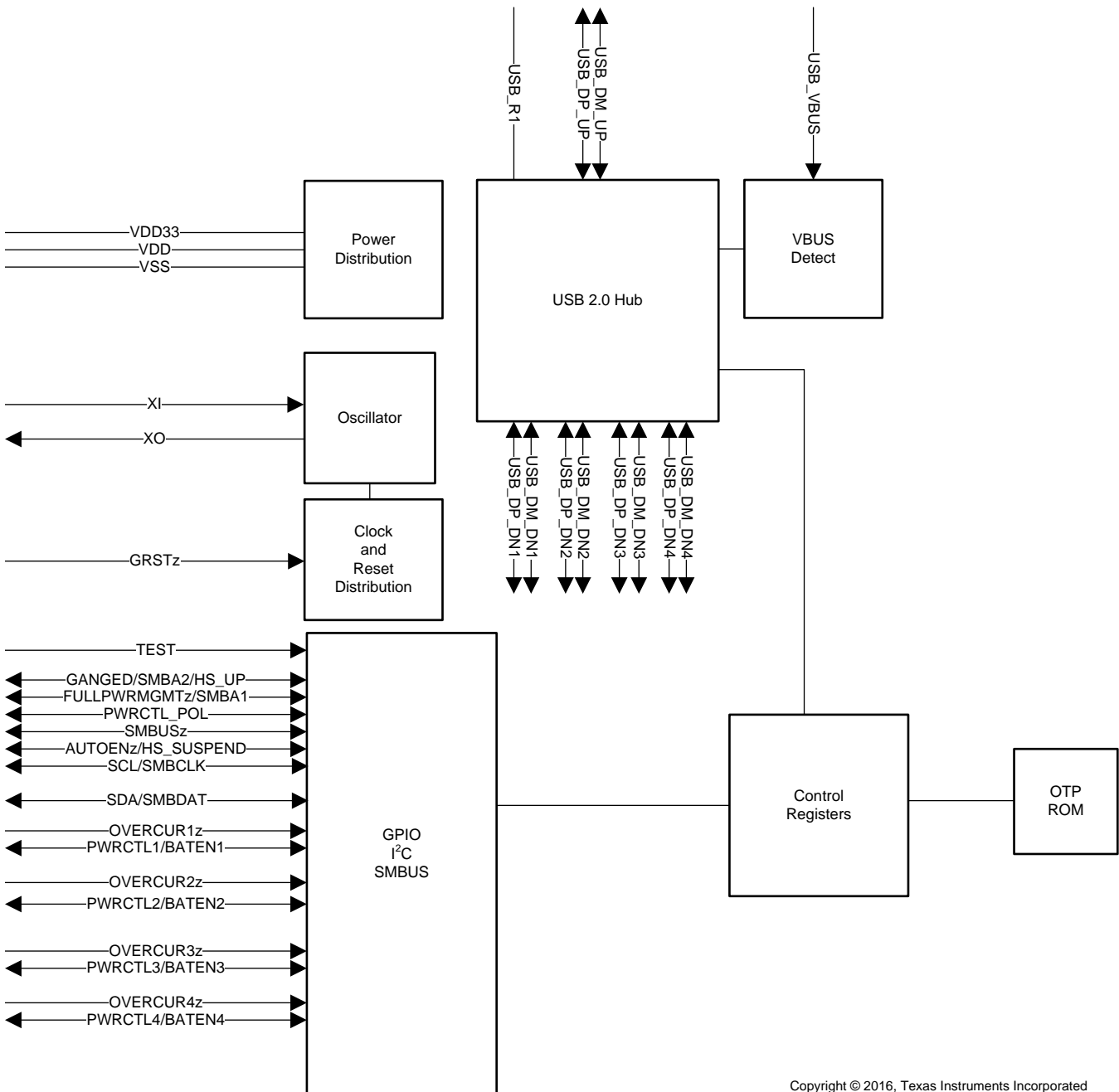
| PARAMETER                                   | V <sub>DD33</sub><br>3.3 V | V <sub>DD</sub><br>1.1 V | UNIT |
|---|----------------------------|--------------------------|------|
| <b>LOW POWER MODES</b>                      |                            |                          |      |
| Power on (after reset)                      | 2.3                        | 28                       | mA   |
| Upstream disconnect                         | 2.3                        | 28                       | mA   |
| Suspend                                     | 2.5                        | 33                       | mA   |
| <b>ACTIVE MODES (US STATE AND DS STATE)</b> |                            |                          |      |
| 2.0 host / 1 HS device                      | 45                         | 63                       | mA   |
| 2.0 host / 4 HS devices                     | 76                         | 86                       | mA   |
| SMBUS Programming current                   | 79                         | 225                      | mA   |

## 8 Detailed Description

### 8.1 Overview

The TUSB40411 device is a four-port USB 2.0 hub. The device provides USB high-speed and full-speed connections on the upstream port and provides USB high-speed, full-speed, or low-speed connections on the downstream ports. When the upstream port is connected to an electrical environment that only supports high-speed connections, USB high-speed connectivity is enabled on the downstream ports. USB high-speed connectivity is disabled on the downstream ports when the upstream port is connected to an electrical environment that only supports full-speed and low-speed connections.

### 8.2 Functional Block Diagram



Copyright © 2016, Texas Instruments Incorporated

## 8.3 Feature Description

### 8.3.1 Battery Charging Features

The TUSB4041I device provides support for USB battery charging. Battery charging support may be enabled on a per port basis through the REG\_6h(batEn[3:0]).

Battery charging support includes both CDP and DCP modes. The DCP mode is compliant with the Chinese Telecommunications Industry Standard YD/T 1591-2009.

In addition to standard DCP mode, the TUSB4041I device provides a mode (AUTOMODE), which automatically provides support for DCP devices and devices that support custom charging indication. When in AUTOMODE, the port automatically switches between a divider mode and the DCP mode depending on the portable device connected. The divider mode places a fixed DC voltage on the ports DP and DM signals, which allows some devices to identify the capabilities of the charger. The default divider mode indicates support for up to 10 W. The divider mode can be configured to report a legacy current setting (up to 5 W) through REG\_Ah(HiCurAcpModeEn).

The battery charging mode for each port is dependent on the state of Reg\_6h(batEn[n]), the status of the VBUS input, and the state of REG\_Ah(autoModeEnz) upstream port as identified in [Table 1](#).

**Table 1. TUSB4041I Battery Charging Modes**

| batEn[n] | VBUS       | autoModeEnz | BC MODE PORT $x$<br>( $x = n + 1$ ) |
|----------|------------|-------------|-------------------------------------|
| 0        | Don't care | Don't care  | Don't Care                          |
| 1        | <4 V       | 0           | Automode <sup>(1)(2)</sup>          |
|          |            | 1           | DCP <sup>(3)(4)</sup>               |
|          | >4 V       | Don't care  | CDP <sup>(3)</sup>                  |

(1) Auto-mode automatically selects divider-mode or DCP mode.

(2) Divider mode can be configured for legacy current mode through register settings.

(3) Attached USB device is USB battery-charging specification revision 1.2 compliant

(4) Chinese Telecommunications Industry Standard YD/T 1591-2009

### 8.3.2 USB Power Management

The TUSB4041I device can be configured for power-switched applications using either per-port or ganged power-enable controls and overcurrent status inputs.

Power switch support is enabled by REG\_5h(fullPwrMgmtz), and the per-port or ganged mode is configured by REG\_5h(ganged).

The TUSB4041I device supports both active-high and active-low power-enable controls. The PWRCTL[4:1] polarity is configured by REG\_Ah(pwrctlPol).

### 8.3.3 One-Time Programmable Configuration

The TUSB40411 device allows device configuration through one-time programmable (OTP) non-volatile memory. The programming of the OTP is supported using vendor-defined USB device requests. Contact TI for details using the OTP features

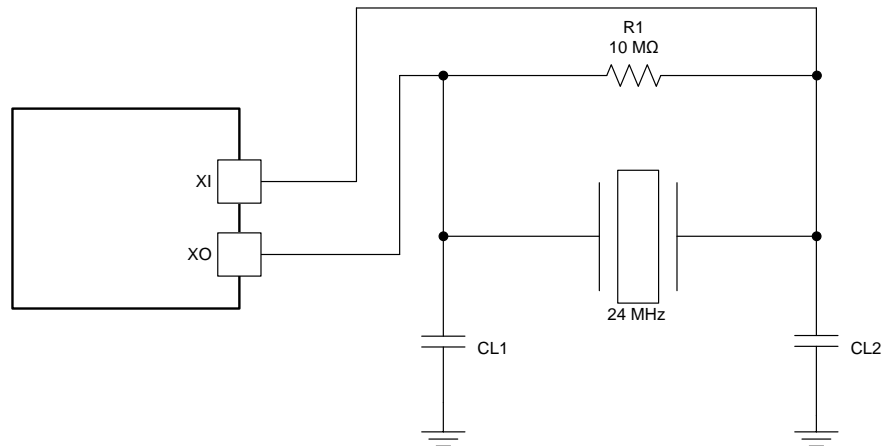
[Table 2](#) lists features that can be configured using the OTP.

**Table 2. OTP Configurable Features**

| CONFIGURATION REGISTER OFFSET | BIT FIELD | DESCRIPTION   |
|-------------------------------|-----------|---|
| REG_01h                       | [7:0]     | Vendor ID LSB   |
| REG_02h                       | [7:0]     | Vendor ID MSB   |
| REG_03h                       | [7:0]     | Product ID LSB  |
| REG_04h                       | [7:0]     | Product ID MSB  |
| REG_07h                       | [0]       | Port-removable configuration for downstream ports 1. OTP configuration is inverse of rmb1[3:0], that is 1 = not removable, 0 = removable. |
| REG_07h                       | [1]       | Port-removable configuration for downstream ports 2. OTP configuration is inverse of rmb1[3:0], that is 1 = not removable, 0 = removable. |
| REG_07h                       | [2]       | Port-removable configuration for downstream ports 3. OTP configuration is inverse of rmb1[3:0], that is 1 = not removable, 0 = removable. |
| REG_07h                       | [3]       | Port-removable configuration for downstream ports 4. OTP configuration is inverse of rmb1[3:0], that is 1 = not removable, 0 = removable. |
| REG_0Ah                       | [3]       | Enable device attach detection  |
| REG_0Ah                       | [4]       | High-current divider mode enable  |
| REG_0Bh                       | [0]       | USB 2.0 port polarity configuration for downstream ports 1  |
| REG_0Bh                       | [1]       | USB 2.0 port polarity configuration for downstream ports 2  |
| REG_0Bh                       | [2]       | USB 2.0 port polarity configuration for downstream ports 3  |
| REG_0Bh                       | [3]       | USB 2.0 port polarity configuration for downstream ports 4  |
| REG_F0h                       | [3:1]     | USB power switch power-on delay   |

### 8.3.4 Clock Generation

The TUSB4041I device accepts a crystal input to drive an internal oscillator or an external clock source. If a clock is provided to the XI pin instead of a crystal, the XO pin is left open. Otherwise, if a crystal is used, the connection must follow these guidelines. Because the XI and XO pins are coupled to other leads and supplies on the PCB, keep traces as short as possible and away from any switching leads. Minimize the capacitance between the XI and XO pins by shielding C1 and C2 with the clean ground lines.



Copyright © 2016, Texas Instruments Incorporated

**Figure 2. TUSB4041I Clock**

### 8.3.5 Crystal Requirements

The crystal must be fundamental mode with load capacitance of 12 to 24 pF and frequency stability rating of  $\pm 100$  PPM or better. To ensure proper startup oscillation condition, TI recommends a maximum crystal equivalent series resistance (ESR) of 50  $\Omega$ . If a crystal source is used, use a parallel load capacitor. The exact load capacitance value used depends on the crystal vendor. Refer to application note *Selection and Specification for Crystals for Texas Instruments USB 2.0 Devices (SLLA122)* for details on how to determine the load capacitance value.

### 8.3.6 Input Clock Requirements

When using an external clock source such as an oscillator, the reference clock should have a frequency stability of  $\pm 100$  PPM or better and have less than 50-ps absolute peak-to-peak jitter. Tie XI to the 1.8-V clock source, and leave XO floating.

### 8.3.7 Power-Up and Reset

The TUSB4041I device does not have specific power-sequencing requirements with respect to the core power ( $V_{DD}$ ) or I/O and analog power ( $V_{DD33}$ ). The core power ( $V_{DD}$ ) or I/O power ( $V_{DD33}$ ) can be powered up for an indefinite period of time while the other is not powered up if all of the following constraints are met:

- Observe all maximum ratings and recommended operating conditions.
- Observe all warnings about exposure to maximum rated and recommended conditions, particularly junction temperature. These apply to power transitions and normal operation.
- Limit bus contention to 100 hours over the projected lifetime of the device while  $V_{DD33}$  is powered-up.
- Do not exceed the ratings listed in the [Absolute Maximum Ratings](#) table for bus contention while  $V_{DD33}$  is powered-down.

A supply bus is powered-up when the voltage is within the recommended operating range. A supply bus is powered-down when it is below that range, and either stable or in transition.

The device requires a minimum reset duration of 3 ms. This reset duration is defined as the time when the power supplies are in the recommended operating range to the deassertion of the GRSTz pin. Generate the reset pulse using a programmable-delay supervisory device or using an RC circuit.

## 8.4 Device Functional Modes

### 8.4.1 External Configuration Interface

The TUSB40411 device supports a serial interface for configuration register access. The device can be configured by an attached I<sup>2</sup>C EEPROM or accessed as a slave by an SMBus-capable host controller. The external interface is enabled when both the SCL/SMBCLK and SDA/SMBDAT pins are pulled up to 3.3 V at the deassertion of reset. The mode, I<sup>2</sup>C master or SMBus slave, is determined by the state of SMBUSz pin at reset.

### 8.4.2 I<sup>2</sup>C EEPROM Operation

The TUSB40411 device supports a single-master, standard mode (100 kb/s) connection to a dedicated I<sup>2</sup>C EEPROM when the I<sup>2</sup>C interface mode is enabled. In I<sup>2</sup>C mode, the TUSB40411 device reads the contents of the EEPROM at bus address 1010000b using 7-bit addressing starting at address 0.

If the value of the EEPROM contents at byte 00h equals 55h, the TUSB40411 device loads the configuration registers according to the EEPROM map. If the first byte is not 55h, the TUSB40411 device exits the I<sup>2</sup>C mode and continues execution with the default values in the configuration registers. The hub does not connect on the upstream port until the configuration is completed. If the hub detected an unprogrammed EEPROM (value other than 55h), the hub enters programming mode and a programming endpoint within the hub is enabled.

---

#### NOTE

The bytes located above offset Ah are optional. The requirement for data in those addresses is dependent on the options configured in the [Device Configuration Register](#) and [Device Configuration Register 2](#).

---

For details on I<sup>2</sup>C operation, refer to the UM10204 I<sup>2</sup>C-bus Specification and User Manual.

### 8.4.3 SMBus Slave Operation

When the SMBus interface mode is enabled, the TUSB40411 device supports read block and write block protocols as a slave-only SMBus device.

The TUSB40411 device slave address is 1000 1xyz, where:

- x is the state of GANGED/SMBA2/HS\_UP pin at reset
- y is the state of FULLPWRMGMTz/SMBA1 pin at reset
- z is the read-write (R/W) bit; 1 = read access, 0 = write access

If the TUSB40411 device is addressed by a host using an unsupported protocol, the device does not respond. The TUSB40411 device waits indefinitely for configuration by the SMBus host and does not connect on the upstream port until the SMBus host indicates configuration is complete by clearing the CFG\_ACTIVE bit.

For details on SMBus requirements, refer to the *System Management Bus (SMBus) Specification*.

---

#### NOTE

During the SMBUS configuration the hub may draw an extra current, this extra current consumption will end as soon as the CFG\_ACTIVE bit is cleared. For more information refer to [Hub Input Supply Current](#) section in this datasheet.

---

## 8.5 Register Maps

### 8.5.1 Configuration Registers

The internal configuration registers are accessed on byte boundaries. The configuration register values are loaded with defaults, but can be overwritten when the TUSB4041I device is in I<sup>2</sup>C or SMBus mode.

**Table 3. Memory Map**

| BYTE ADDRESS | CONTENTS                                  | EEPROM CONFIGURABLE          |
|--------------|---|------------------------------|
| 00h          | ROM Signature Register                    | No                           |
| 01h          | Vendor ID LSB                             | Yes                          |
| 02h          | Vendor ID MSB                             | Yes                          |
| 03h          | Product ID LSB                            | Yes                          |
| 04h          | Product ID MSB                            | Yes                          |
| 05h          | Device Configuration Register             | Yes                          |
| 06h          | Battery Charging Support Register         | Yes                          |
| 07h          | Device Removable Configuration Register   | Yes                          |
| 08h          | Port Used Configuration Register          | Yes                          |
| 09h          | Reserved                                  | Yes, program to 00h          |
| 0Ah          | Device Configuration Register 2           | Yes                          |
| 0Bh          | USB 2.0 Port Polarity Control Register    | Yes                          |
| 0Ch to 0Fh   | Reserved                                  | No                           |
| 10h to 1Fh   | UUID Byte [15:0]                          | No                           |
| 20h to 21h   | LangID Byte [1:0]                         | Yes, if customStrings is set |
| 22h          | Serial Number String Length               | Yes, if customSerNum is set  |
| 23h          | Manufacturer String Length                | Yes, if customStrings is set |
| 24h          | Product String Length                     | Yes, if customStrings is set |
| 25h to 2Fh   | Reserved                                  | No                           |
| 30h to 4Fh   | Serial Number String Byte [31:0]          | Yes, if customSerNum is set  |
| 50h to 8Fh   | Manufacturer String Byte [63:0]           | Yes, if customStrings is set |
| 90h to CFh   | Product String Byte [63:0]                | Yes, if customStrings is set |
| D0 to DFh    | Reserved                                  | No                           |
| F0h          | Additional Feature Configuration Register | Yes                          |
| F1 to F7h    | Reserved                                  | No                           |
| F8h          | Device Status and Command Register        | No                           |
| F9 to FFh    | Reserved                                  | No                           |



### 8.5.2 ROM Signature Register

Offset = 0h

**Figure 3. ROM Signature Register**

| 7            | 6 | 5 | 4 | 3 | 2 | 1 | 0 |
|--------------|---|---|---|---|---|---|---|
| romSignature |   |   |   |   |   |   |   |
| RW-0         |   |   |   |   |   |   |   |

**Table 4. ROM Signature Register Field Descriptions**

| Bit | Field        | Type | Reset | Description   |
|-----|--------------|------|-------|---|
| 7:0 | romSignature | RW   | 0     | ROM signature register<br>The TUSB4041I device uses this register in I <sup>2</sup> C mode to validate whether the attached EEPROM has been programmed. The first byte of the EEPROM is compared to the mask 55h and if not a match, the TUSB4041I device aborts the EEPROM load and executes with the register defaults. |

### 8.5.3 Vendor ID LSB Register

Offset = 1h, reset = 51h

**Figure 4. Vendor ID LSB Register**

| 7              | 6              | 5              | 4              | 3                | 2 | 1              | 0 |
|----------------|----------------|----------------|----------------|------------------|---|----------------|---|
| vendorIdLsb[7] | vendorIdLsb[6] | vendorIdLsb[5] | vendorIdLsb[4] | vendorIdLsb[3:1] |   | vendorIdLsb[0] |   |
| R/RW-0         | R/RW-1         | R/RW-0         | R/RW-1         | R/RW-0           |   | R/RW-1         |   |

**Table 5. Vendor ID LSB Register Field Descriptions**

| Bit | Field            | Type | Reset | Description   |
|-----|------------------|------|-------|---|
| 7   | vendorIdLsb[7]   | R/RW | 0     | Vendor ID LSB   |
| 6   | vendorIdLsb[6]   | R/RW | 1     | Least significant byte of the unique vendor ID assigned by the USB-IF; the default value of this register is 51h representing the LSB of the TI Vendor ID 0451h. The value may be overwritten to indicate a customer vendor ID. |
| 5   | vendorIdLsb[5]   | R/RW | 0     |   |
| 4   | vendorIdLsb[4]   | R/RW | 1     | This field is R/W unless the OTP ROM VID and OTP ROM PID values are non-zero. If both values are non-zero, the value when reading this register will reflect the OTP ROM value.   |
| 3:1 | vendorIdLsb[3:1] | R/RW | 0     |   |
| 0   | vendorIdLsb[0]   | R/RW | 1     |   |

### 8.5.4 Vendor ID MSB Register

Offset = 2h, reset = 04h

**Figure 5. Vendor ID MSB Register**

| 7                | 6 | 5 | 4 | 3              | 2 | 1                | 0 |
|------------------|---|---|---|----------------|---|------------------|---|
| vendorIdMsb[7:3] |   |   |   | vendorIdMsb[2] |   | vendorIdMsb[1:0] |   |
| R/RW-0           |   |   |   | R/RW-1         |   | R/RW-0           |   |

**Table 6. Vendor ID MSB Register Field Descriptions**

| Bit | Field            | Type | Reset | Description  |
|-----|------------------|------|-------|--|
| 7:3 | vendorIdMsb[7:3] | R/RW | 0     | Vendor ID MSB  |
| 2   | vendorIdMsb[2]   | R/RW | 1     | Most significant byte of the unique vendor ID assigned by the USB-IF; the default value of this register is 04h representing the MSB of the TI Vendor ID 0451h. The value may be overwritten to indicate a customer vendor ID. |
| 1:0 | vendorIdMsb[1:0] | R/RW | 0     |  |

### 8.5.5 Product ID LSB Register

Offset = 3h, reset = 40h

**Figure 6. Product ID LSB Register**

| 7               | 6               | 5                 | 4 | 3 | 2 | 1 | 0 |  |
|-----------------|-----------------|-------------------|---|---|---|---|---|--|
| productIdLsb[7] | productIdLsb[6] | productIdLsb[5:0] |   |   |   |   |   |  |
| R/RW-0          | R/RW-1          | R/RW-0            |   |   |   |   |   |  |

**Table 7. Product ID LSB Register Field Descriptions**

| Bit | Field             | Type | Reset | Description   |
|-----|-------------------|------|-------|---|
| 7   | productIdLsb[7]   | R/RW | 0     | Product ID LSB.<br>The default value of this register is 40h representing the LSB of the product ID assigned by TI. The value reported in the USB 2.0 device descriptor is the value of this register bit wise XORed with 00000010b. This device will always report the XORed PID LSB value of 0x42. The value may be overwritten to indicate a customer product ID.<br>This field is R/W unless the OTP ROM VID and OTP ROM PID values are non-zero. If both values are non-zero, the value when reading this register will reflect the OTP ROM value. |
| 6   | productIdLsb[6]   | R/RW | 1     |   |
| 5:0 | productIdLsb[5:0] | R/RW | 0     |   |

### 8.5.6 Product ID MSB Register

Offset = 4h, reset = 81h

**Figure 7. Product ID MSB Register**

| 7               | 6                 | 5 | 4 | 3 | 2 | 1 | 0               |
|-----------------|-------------------|---|---|---|---|---|-----------------|
| productIdMsb[7] | productIdMsb[6:1] |   |   |   |   |   | productIdMsb[0] |
| R/RW-1          | R/RW-0            |   |   |   |   |   | R/RW-1          |

**Table 8. Product ID MSB Register Field Descriptions**

| Bit | Field             | Type | Reset | Description  |
|-----|-------------------|------|-------|--|
| 7   | productIdMsb[7]   | R/RW | 1     | Product ID MSB<br>Most significant byte of the product ID assigned by TI; the default value of this register is 81h representing the MSB of the product ID assigned by TI. The value may be overwritten to indicate a customer product ID. |
| 6:1 | productIdMsb[6:1] | R/RW | 0     |  |
| 0   | productIdMsb[0]   | R/RW | 1     | This field is R/W unless the OTP ROM VID and OTP ROM PID values are non-zero. If both values are non-zero, the value when reading this register will reflect the OTP ROM value.  |

### 8.5.7 Device Configuration Register

Offset = 5h

**Figure 8. Device Configuration Register**

| 7             | 6            | 5    | 4    | 3      | 2            | 1    | 0    |
|---------------|--------------|------|------|--------|--------------|------|------|
| customStrings | customSernum | RSVD | RSVD | ganged | fullPwrMgmtz | RSVD | RSVD |
| RW-0          | RW-0         | RW-0 | R-1  | RW-X   | RW-X         | RW-0 | R-0  |

**Table 9. Device Configuration Register Field Descriptions**

| Bit | Field         | Type | Reset | Description  |
|-----|---------------|------|-------|--|
| 7   | customStrings | RW   | 0     | <p>Custom strings enable</p> <p>This bit controls the ability to write to the Manufacturer String Length, Manufacturer String, Product String Length, Product String, and Language ID registers</p> <p>0 = The Manufacturer String Length, Manufacturer String, Product String Length, Product String, and Language ID registers are read only.</p> <p>1 = The Manufacturer String Length, Manufacturer String, Product String Length, Product String, and Language ID registers may be loaded by EEPROM or written by SMBus.</p> <p>The default value of this bit is 0.</p> |
| 6   | customSernum  | RW   | 0     | <p>Custom serial number enable</p> <p>This bit controls the ability to write to the serial number registers.</p> <p>0 = The Serial Number String Length and Serial Number String registers are read only.</p> <p>1 = Serial Number String Length and Serial Number String registers may be loaded by EEPROM or written by SMBus.</p> <p>The default value of this bit is 0.</p>  |
| 5   | RSVD          | RW   | 0     | Reserved.  |
| 4   | RSVD          | R    | 1     | Reserved. This bit is reserved and returns 1 when read.  |
| 3   | ganged        | RW   | X     | <p>Ganged</p> <p>This bit is loaded at the deassertion of reset with the value of the GANGED/SMBA2/HS_UP pin.</p> <p>0 = Each port is individually power switched and enabled by the PWRCTL[4:1]/BATEN[4:1] pins.</p> <p>1 = The power switch control for all ports is ganged and enabled by the PWRCTL[4:1]/BATEN1 pin.</p> <p>When the TUSB4041I device is in I<sup>2</sup>C mode, the TUSB4041I device loads this bit from the contents of the EEPROM.</p> <p>When the TUSB4041I device is in SMBUS mode, the value may be overwritten by an SMBus host.</p>              |
| 2   | fullPwrMgmtz  | RW   | X     | <p>Full power management</p> <p>This bit is loaded at the deassertion of reset with the value of the FULLPWRMGMTz/SMBA1 pin.</p> <p>0 = Port power switching status reporting is enabled</p> <p>1 = Port power switching status reporting is disabled</p> <p>When the TUSB4041I device is in I<sup>2</sup>C mode, the TUSB4041I device loads this bit from the contents of the EEPROM.</p> <p>When the TUSB4041I device is in SMBUS mode, the value may be overwritten by an SMBus host.</p>   |
| 1   | RSVD          | RW   | 0     | <p>Reserved</p> <p>This field is reserved and should not be altered from the default.</p>  |
| 0   | RSVD          | R    | 0     | <p>Reserved</p> <p>This field is reserved and returns 0 when read.</p>   |

### 8.5.8 Battery Charging Support Register

Offset = 6h

**Figure 9. Battery Charging Support Register**

| 7    | 6 | 5 | 4 | 3          | 2 | 1 | 0 |
|------|---|---|---|------------|---|---|---|
| RSVD |   |   |   | batEn[3:0] |   |   |   |
| R-0  |   |   |   | RW-X       |   |   |   |

**Table 10. Battery Charging Support Register Field Descriptions**

| Bit | Field      | Type | Reset | Description   |
|-----|------------|------|-------|---|
| 7:4 | RSVD       | R    | 0     | Reserved<br>Read only, returns 0 when read.   |
| 3:0 | batEn[3:0] | RW   | X     | Battery Charger Support. The bits in this field indicate whether the downstream port implements the charging port features. <ul style="list-style-type: none"> <li>0 = The port is not enabled for battery charging support features</li> <li>1 = The port is enabled for battery charging support features</li> </ul> Each bit corresponds directly to a downstream port, that is batEn0 corresponds to downstream port 1, and batEN1 corresponds to downstream port 2.<br>The default value for these bits are loaded at the deassertion of reset with the value of PWRCTL/BATEN[3:0].<br>When in I <sup>2</sup> C/SMBus mode the bits in this field may be overwritten by EEPROM contents or by an SMBus host. |

### 8.5.9 Device Removable Configuration Register

Offset = 7h

**Figure 10. Device Removable Configuration Register**

| 7          | 6    | 5 | 4 | 3        | 2 | 1 | 0 |
|------------|------|---|---|----------|---|---|---|
| customRmbl | RSVD |   |   | rmb[3:0] |   |   |   |
| RW-0       | R-0  |   |   | RW-X     |   |   |   |

**Table 11. Device Removable Configuration Register Field Descriptions**

| Bit | Field      | Type | Reset | Description   |
|-----|------------|------|-------|---|
| 7   | customRmbl | RW   | 0     | Custom removable<br>This bit controls the ability to write to the port removable bits. <ul style="list-style-type: none"> <li>0 = rmb[3:0] are read only, and the values are loaded from the OTP ROM.</li> <li>1 = rmb[3:0] are R/W and can be loaded by EEPROM or written by SMBus.</li> </ul> This bit may be written simultaneously with rmb[3:0].   |
| 6:4 | RSVD       | R    | 0     | Reserved<br>Read only, returns 0 when read  |
| 3:0 | rmb[3:0]   | RW   | X     | Removable<br>The bits in this field indicate whether a device attached to downstream ports 4 through 1 are removable or permanently attached. <ul style="list-style-type: none"> <li>0 = The device attached to the port is not removable.</li> <li>1 = The device attached to the port is removable.</li> </ul> Each bit corresponds directly to a downstream port n + 1, For example: rmb[0] corresponds to downstream port 1, rmb[1] corresponds to downstream port 2, and so on.<br>This field is read only unless the customRmbl bit is set to 1. Otherwise, the value of this field reflects the inverted values of the OTP ROM non_rmb[3:0] field. |

### 8.5.10 Port Used Configuration Register

Offset = 8h

**Figure 11. Port Used Configuration Register**

| 7    | 6 | 5 | 4 | 3         | 2 | 1 | 0 |
|------|---|---|---|-----------|---|---|---|
| RSVD |   |   |   | used[3:0] |   |   |   |
| R-0  |   |   |   | RW-1      |   |   |   |

**Table 12. Port Used Configuration Register Field Descriptions**

| Bit | Field     | Type | Reset | Description   |
|-----|-----------|------|-------|---|
| 7:4 | RSVD      | R    | 0     | Reserved<br>Read only   |
| 3:0 | used[3:0] | RW   | 1     | Used<br>The bits in this field indicate whether a port is enabled.<br>0 = The port is disabled.<br>1 = The port is enabled. |

### 8.5.11 Device Configuration Register 2

Offset = Ah

**Figure 12. Device Configuration Register 2**

| 7    | 6                | 5         | 4              | 3      | 2    | 1           | 0    |
|------|------------------|-----------|----------------|--------|------|-------------|------|
| RSVD | customBCfeatures | pwrctlPol | HiCurAcqModeEn | cpdEN  | RSVD | autoModeEnz | RSVD |
| R-0  | RW-0             | RW-X      | R/RW-0         | R/RW-0 | RW-0 | RW-X        | R-0  |

**Table 13. Device Configuration Register 2 Field Descriptions**

| Bit | Field            | Type | Reset | Description  |
|-----|------------------|------|-------|--|
| 7   | RSVD             | R    | 0     | Reserved<br>Read only, returns 0 when read.  |
| 6   | customBCfeatures | RW   | 0     | Custom battery charging feature enable<br>This bit controls the ability to write to the battery charging feature configuration controls.<br>0 = The HiCurAcqModeEn and cpdEN bits are read only and the values are loaded from the OTP ROM.<br>1 = The HiCurAcqModeEn and cpdEN, bits are R/W and can be loaded by EEPROM or written by SMBus from this register.<br>This bit may be written simultaneously with HiCurAcqModeEn and cpdEN. |
| 5   | pwrctlPol        | RW   | X     | Power enable polarity<br>This bit is loaded at the deassertion of reset with the value of the PWRCTL_POL pin.<br>0 = PWRCTL polarity is active low.<br>1 = PWRCTL polarity is active high.<br>When the TUSB40411 device is in I <sup>2</sup> C mode, the TUSB40411 device loads this bit from the contents of the EEPROM.<br>When the TUSB40411 device is in SMBUS mode, the value may be overwritten by an SMBus host.                    |

**Table 13. Device Configuration Register 2 Field Descriptions (continued)**

| Bit | Field          | Type | Reset | Description  |
|-----|----------------|------|-------|--|
| 4   | HiCurAcpModeEn | R/RW | 0     | <p>High-current ACP mode enable</p> <p>This bit enables the high-current tablet charging mode when the automatic battery charging mode is enabled for downstream ports.</p> <p>0 = High-current divider mode disabled. Legacy current divider mode enabled.</p> <p>1 = High-current divider mode enabled</p> <p>This bit is read only unless the customBCfeatures bit is set to 1. If customBCfeatures is 0, the value of this bit reflects the value of the OTP ROM HiCurAcpModeEn bit.</p> |
| 3   | cpdEN          | RRW  | 0     | <p>Enable device attach detection</p> <p>This bit enables device attach detection (such as a cell-phone detect) when auto mode is enabled.</p> <p>0 = Device attach detect is disabled in auto mode.</p> <p>1 = Device attach detect is enabled in auto mode.</p> <p>This bit is read only unless the customBCfeatures bit is set to 1. If customBCfeatures is 0, the value of this bit reflects the value of the OTP ROM cpdEN bit.</p>   |
| 2   | RSVD           | RW   | 0     | Reserved   |
| 1   | autoModeEnz    | RW   | X     | <p>Automatic mode enable<sup>(1)</sup></p> <p>This bit is loaded at the deassertion of reset with the value of the AUTOENz/HS_SUSPEND pin.</p> <p>The automatic mode only applies to downstream ports with battery charging enabled when the upstream port is not connected. Under these conditions:</p> <p>0 = Automatic mode battery charging features are enabled.</p> <p>1 = Automatic mode is disabled; only battery-charging DCP mode is supported.</p>                                |
| 0   | RSVD           | R    | 0     | <p>Reserved</p> <p>Read only, returns 0 when read.</p>   |

- (1) When the upstream port is connected, battery charging 1.2 CDP mode will be supported on all ports that are enabled for battery charging support regardless of the value of this bit, with the exception of port 1. CDP on port 1 is not supported when automatic mode is enabled.

### 8.5.12 USB 2.0 Port Polarity Control Register

Offset = Bh

**Figure 13. USB 2.0 Port Polarity Control Register**

| 7              | 6    | 5 | 4          | 3          | 2          | 1          | 0          |
|----------------|------|---|------------|------------|------------|------------|------------|
| customPolarity | RSVD |   | p4_usb2pol | p3_usb2pol | p2_usb2pol | p1_usb2pol | p0_usb2pol |
| RW-0           | R-0  |   | R/RW-0     | R/RW-0     | R/RW-0     | R/RW-0     | R/RW-0     |

**Table 14. USB 2.0 Port Polarity Control Register Field Descriptions**

| Bit | Field          | Type | Reset | Description   |
|-----|----------------|------|-------|---|
| 7   | customPolarity | RW   | 0     | <p>Custom USB 2.0 polarity</p> <p>This bit controls the ability to write the p[4:0]_usb2pol bits.</p> <p>0 = The p[4:0]_usb2pol bits are read only, and the values are loaded from the OTP ROM.</p> <p>1 = The p[4:0]_usb2pol bits are R/W and can be loaded by EEPROM or written by SMBus from this register.</p> <p>This bit may be written simultaneously with the p[4:0]_usb2pol bits</p>   |
| 6:5 | RSVD           | R    | 0     | <p>Reserved</p> <p>Read only, returns 0 when read</p>   |
| 4   | p4_usb2pol     | R/RW | 0     | <p>Downstream port 4 DM/DP polarity</p> <p>This bit controls the polarity of the port.</p> <p>0 = USB 2.0 port polarity is as shown in the pinout.</p> <p>1 = USB 2.0 port polarity is swapped from that shown in the pinout (that is, DM becomes DP, and DP becomes DM).</p> <p>This bit is read only unless the customPolarity bit is set to 1. If customPolarity is 0, the value of this bit reflects the value of the OTP ROM p4_usb2pol bit.</p> |
| 3   | p3_usb2pol     | R/RW | 0     | <p>Downstream port 3 DM/DP polarity</p> <p>This bit controls the polarity of the port.</p> <p>0 = USB 2.0 port polarity is as shown in the pinout.</p> <p>1 = USB 2.0 port polarity is swapped from that shown in the pinout (that is, DM becomes DP, and DP becomes DM).</p> <p>This bit is read only unless the customPolarity bit is set to 1. If customPolarity is 0, the value of this bit reflects the value of the OTP ROM p3_usb2pol bit.</p> |
| 2   | p2_usb2pol     | R/RW | 0     | <p>Downstream port 2 DM/DP polarity</p> <p>This bit controls the polarity of the port.</p> <p>0 = USB 2.0 port polarity is as shown in the pinout.</p> <p>1 = USB 2.0 port polarity is swapped from that shown in the pinout (that is, DM becomes DP, and DP becomes DM).</p> <p>This bit is read only unless the customPolarity bit is set to 1. If customPolarity is 0, the value of this bit reflects the value of the OTP ROM p2_usb2pol bit.</p> |
| 1   | p1_usb2pol     | RRW  | 0     | <p>Downstream port 1 DM/DP polarity</p> <p>This bit controls the polarity of the port.</p> <p>0 = USB 2.0 port polarity is as shown in the pinout.</p> <p>1 = USB 2.0 port polarity is swapped from that shown in the pinout (that is, DM becomes DP, and DP becomes DM).</p> <p>This bit is read only unless the customPolarity bit is set to 1. If customPolarity is 0, the value of this bit reflects the value of the OTP ROM p1_usb2pol bit.</p> |

**Table 14. USB 2.0 Port Polarity Control Register Field Descriptions (continued)**

| Bit | Field      | Type | Reset | Description  |
|-----|------------|------|-------|--|
| 0   | p0_usb2pol | R/RW | 0     | Upstream port DM/DP polarity<br>This bit controls the polarity of the port.<br>0 = USB 2.0 port polarity is as shown in the pinout.<br>1 = USB 2.0 port polarity is swapped from that shown in the pinout (that is, DM becomes DP, and DP becomes DM).<br>This bit is read only unless the customPolarity bit is set to 1. If customPolarity is 0, the value of this bit reflects the value of the OTP ROM p0_usb2pol bit. |

### 8.5.13 UUID Byte N Register

Offset = 10h-1Fh

**Figure 14. UUID Byte N Register**

| 7           | 6 | 5 | 4 | 3 | 2 | 1 | 0 |
|-------------|---|---|---|---|---|---|---|
| uuidByte[n] |   |   |   |   |   |   |   |
| R-X         |   |   |   |   |   |   |   |

**Table 15. UUID Byte N Register Field Descriptions**

| Bit | Field       | Type | Reset | Description  |
|-----|-------------|------|-------|--|
| 7:0 | uuidByte[n] | R    | X     | UUID byte N<br>The UUID returned in the Container ID descriptor. The value of this register is provided by the device and meets the UUID requirements of the Internet Engineering Task Force (IETF) RFC 4122 A UUID URN Namespace. |

### 8.5.14 Language ID LSB Register

Offset = 20h, reset = 09h

**Figure 15. Language ID LSB Register**

| 7              | 6 | 5 | 4 | 3            | 2              | 1 | 0            |
|----------------|---|---|---|--------------|----------------|---|--------------|
| langIdLsb[7:4] |   |   |   | langIdLsb[3] | langIdLsb[2:1] |   | langIdLsb[0] |
| R/RW-0         |   |   |   | R/RW-1       | R/RW-0         |   | R/RW-1       |

**Table 16. Language ID LSB Register Field Descriptions**

| Bit | Field          | Type | Reset | Description   |
|-----|----------------|------|-------|---|
| 7:4 | langIdLsb[7:4] | R/RW | 0     | Language ID least significant byte  |
| 3   | langIdLsb[3]   | R/RW | 1     | This register contains the value returned in the LSB of the LANGID code in string index 0. The TUSB4041I device only supports one language ID. The default value of this register is 09h representing the LSB of the LangID 0409h indicating English United States. |
| 2:1 | langIdLsb[2:1] | R/RW | 0     |   |
| 0   | langIdLsb[0]   | R/RW | 1     | When the customStrings bit is set to 1, this field may be overwritten by the contents of an attached EEPROM or by an SMBus host.  |



### 8.5.15 Language ID MSB Register

Offset = 21h, reset = 04h

**Figure 16. Language ID MSB Register**

|                |   |   |   |              |   |                |   |
|----------------|---|---|---|--------------|---|----------------|---|
| 7              | 6 | 5 | 4 | 3            | 2 | 1              | 0 |
| langIdMsb[7:3] |   |   |   | langIdMsb[2] |   | langIdMsb[1:0] |   |
| R/RW-0         |   |   |   | R/RW-1       |   | R/RW-0         |   |

**Table 17. Language ID MSB Register Field Descriptions**

| Bit | Field          | Type | Reset | Description   |
|-----|----------------|------|-------|---|
| 7:3 | langIdMsb[7:3] | R/RW | 0     | Language ID most significant byte   |
| 2   | langIdMsb[2]   | R/RW | 1     |   |
| 1:0 | langIdMsb[1:0] | R/RW | 0     | This register contains the value returned in the MSB of the LANGID code in string index 0. The TUSB40411 device only supports one language ID. The default value of this register is 04h representing the MSB of the LangID 0409h indicating English United States.<br>When the customStrings bit is set to 1, this field may be overwritten by the contents of an attached EEPROM or by an SMBus host. |

### 8.5.16 Serial Number String Length Register

Offset = 22h

**Figure 17. Serial Number String Length Register**

|      |   |                    |                      |   |                      |   |   |
|------|---|--------------------|----------------------|---|----------------------|---|---|
| 7    | 6 | 5                  | 4                    | 3 | 2                    | 1 | 0 |
| RSVD |   | serNumStringLen[5] | serNumStringLen[4:3] |   | serNumStringLen[2:0] |   |   |
| R-0  |   | R/RW-0             | R/RW-1               |   | R/RW-0               |   |   |

**Table 18. Serial Number String Length Register Field Descriptions**

| Bit | Field                | Type | Reset | Description   |
|-----|----------------------|------|-------|---|
| 7:6 | RSVD                 | R    | 0     | Reserved<br>Read only, returns 0 when read.   |
| 5   | serNumStringLen[5]   | R/RW | 0     | Serial number string length<br>The string length in bytes for the serial number string. The default value is 18h indicating that a 24-byte serial number string is supported. The maximum string length is 32 bytes.<br>When the customSernum bit is set to 1, this field may be overwritten by the contents of an attached EEPROM or by an SMBus host.<br>When the field is non-zero, a serial number string of serNumStringLen bytes is returned at string index 1 from the data contained in the Serial Number String registers. |
| 4:3 | serNumStringLen[4:3] | R/RW | 1     |   |
| 2:0 | serNumStringLen[2:0] | R/RW | 0     |   |

### 8.5.17 Manufacturer String Length Register

Offset = 23h

**Figure 18. Manufacturer String Length Register**

|      |              |   |   |   |   |   |   |
|------|--------------|---|---|---|---|---|---|
| 7    | 6            | 5 | 4 | 3 | 2 | 1 | 0 |
| RSVD | mfgStringLen |   |   |   |   |   |   |
| R-0  | R/RW-0       |   |   |   |   |   |   |

**Table 19. Manufacturer String Length Register Field Descriptions**

| Bit | Field        | Type | Reset | Description  |
|-----|--------------|------|-------|--|
| 7   | RSVD         | R    | 0     | Reserved<br>Read only, returns 0 when read   |
| 6:0 | mfgStringLen | R/RW | 0     | Manufacturer string length<br>The string length in bytes for the manufacturer string. The default value is 0, indicating that a manufacturer string is not provided. The maximum string length is 64 bytes.<br>When the customStrings bit is set to 1, this field may be overwritten by the contents of an attached EEPROM or by an SMBus host.<br>When the field is non-zero, a manufacturer string of mfgStringLen bytes is returned at string index 3 from the data contained in the Manufacturer String registers. |

### 8.5.18 Product String Length Register

Offset = 24h

**Figure 19. Product String Length Register**

|      |               |   |   |   |   |   |   |
|------|---------------|---|---|---|---|---|---|
| 7    | 6             | 5 | 4 | 3 | 2 | 1 | 0 |
| RSVD | prodStringLen |   |   |   |   |   |   |
| R-0  | R/RW-0        |   |   |   |   |   |   |

**Table 20. Product String Length Register Field Descriptions**

| Bit | Field         | Type | Reset | Description  |
|-----|---------------|------|-------|--|
| 7   | RSVD          | R    | 0     | Reserved<br>Read only, returns 0 when read.  |
| 6:0 | prodStringLen | R/RW | 0     | Product string length<br>The string length in bytes for the product string. The default value is 0, indicating that a product string is not provided. The maximum string length is 64 bytes.<br>When the customStrings bit is set to 1, this field may be overwritten by the contents of an attached EEPROM or by an SMBus host.<br>When the field is non-zero, a product string of prodStringLen bytes is returned at string index 3 from the data contained in the Product String registers. |

### 8.5.19 Serial Number String Registers

Offset = 30h-4Fh

**Figure 20. Serial Number String Registers**

|                 |   |   |   |   |   |   |   |
|-----------------|---|---|---|---|---|---|---|
| 7               | 6 | 5 | 4 | 3 | 2 | 1 | 0 |
| serialNumber[n] |   |   |   |   |   |   |   |
| R/RW-X          |   |   |   |   |   |   |   |

**Table 21. Serial Number String Registers Field Descriptions**

| Bit | Field           | Type | Reset | Description   |
|-----|-----------------|------|-------|---|
| 7:0 | serialNumber[n] | R/RW | X     | Serial Number byte N<br>The serial number returned in the Serial Number string descriptor at string index 1. The default value of these registers is assigned by TI. When customSerNum is 1, these registers may be overwritten by EEPROM contents or by an SMBus host. |

### 8.5.20 Manufacturer String Registers

Offset = 50h-8Fh

**Figure 21. Manufacturer String Registers**

|                  |   |   |   |   |   |   |   |
|------------------|---|---|---|---|---|---|---|
| 7                | 6 | 5 | 4 | 3 | 2 | 1 | 0 |
| mfgStringByte[n] |   |   |   |   |   |   |   |
| R/W-0            |   |   |   |   |   |   |   |

**Table 22. Manufacturer String Registers Field Descriptions**

| Bit | Field            | Type | Reset | Description   |
|-----|------------------|------|-------|---|
| 7:0 | mfgStringByte[n] | R/W  | 0     | Manufacturer string byte N<br>These registers provide the string values returned for string index 3 when mfgStringLen is greater than 0. The number of bytes returned in the string is equal to mfgStringLen.<br>The programmed data should be in UNICODE UTF-16LE encodings as defined by the Unicode Standard, Worldwide Character Encoding, Version 5.0. |

### 8.5.21 Product String Byte N Register

Offset = 90h-CFh

**Figure 22. Product String Byte N Register**

|                   |   |   |   |   |   |   |   |
|-------------------|---|---|---|---|---|---|---|
| 7                 | 6 | 5 | 4 | 3 | 2 | 1 | 0 |
| prodStringByte[n] |   |   |   |   |   |   |   |
| R/RW-0            |   |   |   |   |   |   |   |

**Table 23. Product String Byte N Register Field Descriptions**

| Bit | Field             | Type | Reset | Description  |
|-----|-------------------|------|-------|--|
| 7:0 | prodStringByte[n] | R/RW | 0     | Product string byte N<br>These registers provide the string values returned for string index 2 when prodStringLen is greater than 0. The number of bytes returned in the string is equal to prodStringLen.<br>The programmed data should be in UNICODE UTF-16LE encodings as defined by the Unicode Standard, Worldwide Character Encoding, Version 5.0. |

### 8.5.22 Additional Feature Configuration Register

Offset = F0h

**Figure 23. Additional Feature Configuration Register**

| 7    | 6 | 5 | 4           | 3        | 2 | 1 | 0     |
|------|---|---|-------------|----------|---|---|-------|
| RSVD |   |   | stsOutputEn | pwrnTime |   |   | RSVD  |
| R-0  |   |   | R/RW-0      | R/W-0    |   |   | R/W-0 |

**Table 24. Additional Feature Configuration Register Field Descriptions**

| Bit | Field    | Type | Reset | Description  |
|-----|----------|------|-------|--|
| 7:5 | RSVD     | R    | 0     | Reserved<br>Read only, returns 0 when read.  |
| 4   | RSVD     | R/RW | 0     | Reserved.  |
| 3:1 | pwrnTime | RW   | 0     | Power-on delay time<br>When OTP ROM pwrnTime field is all 0, this field sets the delay time from the removal disable of PWRCTL to the enable of PWRCTL when transitioning battery charging modes. For example, when disabling the power on a transition from a custom charging mode to dedicated charging port mode. The nominal timing is defined as follows:<br>$TPWRON\_EN = (pwrnTime + 1) \times 200 \text{ ms} \quad (1)$<br>This field may be overwritten by EEPROM contents or by an SMBus host. |
| 0   | RSVD     | RW   | 0     | Reserved   |

### 8.5.23 Device Status and Command Register

Offset = F8h

**Figure 24. Device Status and Command Register**

| 7    | 6 | 5 | 4 | 3 | 2 | 1        | 0         |
|------|---|---|---|---|---|----------|-----------|
| RSVD |   |   |   |   |   | smbusRst | cfgActive |
| R-0  |   |   |   |   |   | W1S-0    | W1C-0     |

**Table 25. Device Status and Command Register Field Descriptions**

| Bit | Field     | Type | Reset | Description   |
|-----|-----------|------|-------|---|
| 7:2 | RSVD      | R    | 0     | Reserved<br>Read only, returns 0 when read  |
| 1   | smbusRst  | W1S  | 0     | SMBus interface reset<br>This bit loads the registers back to their GRSTz values.<br>This bit is set by writing a 1 and is cleared by hardware on completion of the reset. A write of 0 has no effect.  |
| 0   | cfgActive | W1C  | 0     | Configuration active<br>This bit indicates that configuration of the TUSB4041I device is currently active. The bit is set by hardware when the device enters the I <sup>2</sup> C or SMBus mode. The TUSB4041I device does not connect on the upstream port while this bit is 1.<br>When in the SMBus mode, this bit must be cleared by the SMBus host to exit the configuration mode and allow the upstream port to connect.<br>The bit is cleared by a writing 1. A write of 0 has no effect. |

## 9 Application and Implementation

### NOTE

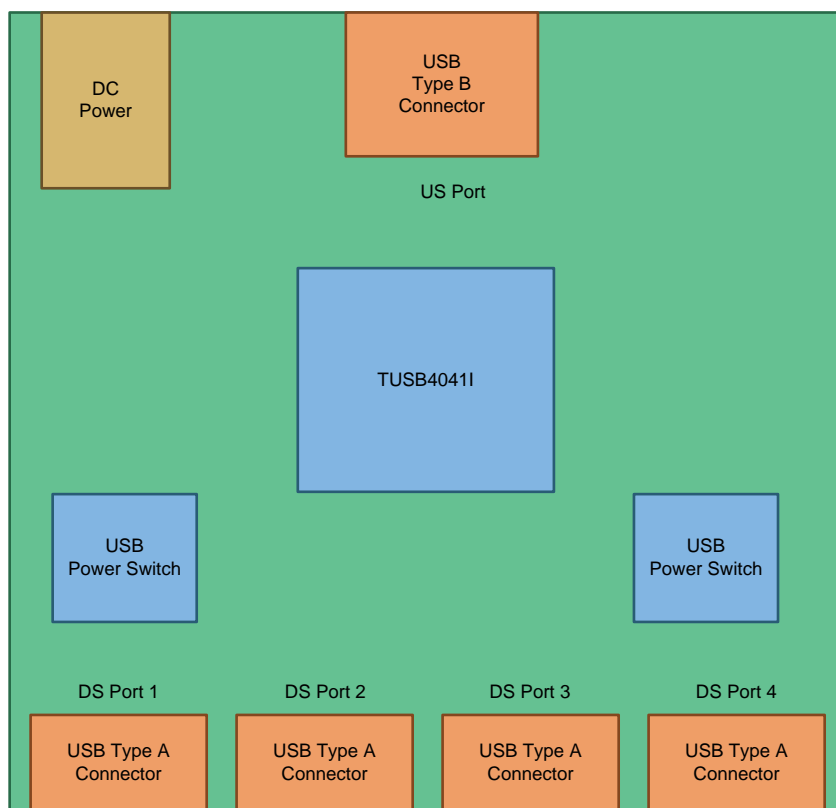
Information in the following applications sections is not part of the TI component specification, and TI does not warrant its accuracy or completeness. TI's customers are responsible for determining suitability of components for their purposes. Customers should validate and test their design implementation to confirm system functionality.

### 9.1 Application Information

The TUSB4041I device is a four-port USB 2.0 hub. The provides USB high-speed and full-speed connections on the upstream port and provides USB high-speed, full-speed, or low-speed connections on the downstream port. The TUSB4041I device can be used in any application that requires additional USB-compliant ports. For example, a specific notebook may only have two downstream USB ports. By using the TUSB4041I device, the notebook can increase the downstream port count to five.

### 9.2 Typical Application

A common application for the TUSB4041I device is as a self-powered standalone USB-hub product. The product is powered by an external 5-V DC power adapter. In this application, using a USB cable, the upstream port of the TUSB4041I device is plugged into a USB host controller. The downstream ports of the TUSB4041I device are exposed to users for connecting USB hard drives, cameras, flash drives, and so forth.



Copyright © 2016, Texas Instruments Incorporated

Figure 25. Discrete USB Hub Product

## Typical Application (continued)

### 9.2.1 Design Requirements

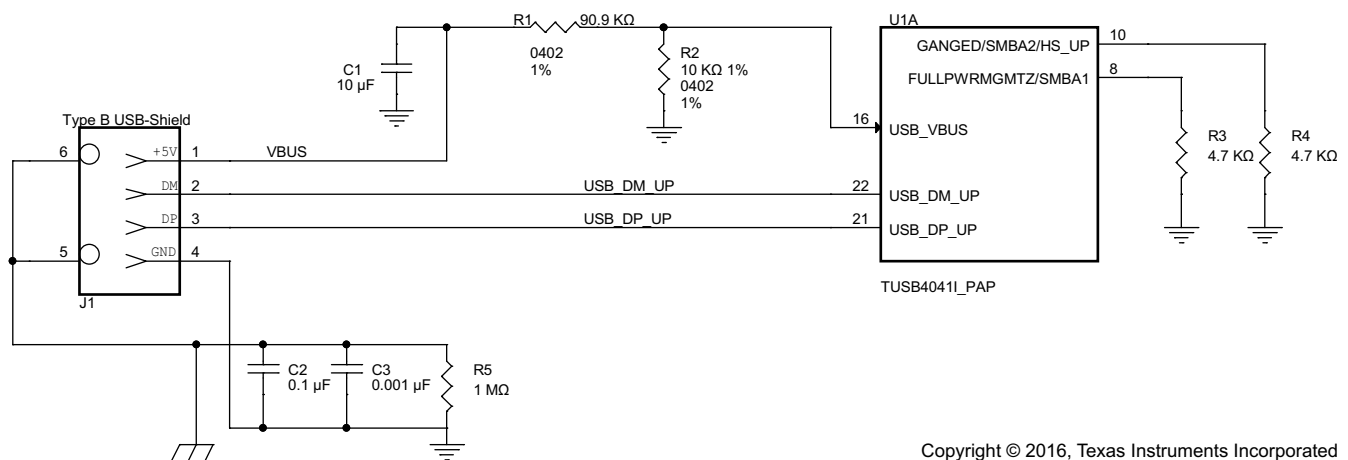
For this design example, use the parameters listed in [Table 26](#).

**Table 26. Design Parameters**

| DESIGN PARAMETER                                   | EXAMPLE VALUE                |
|--|------------------------------|
| V <sub>DD</sub> supply                             | 1.1 V                        |
| VDD33 supply                                       | 3.3 V                        |
| Upstream port USB support (HS, FS)                 | HS, FS                       |
| Downstream port 1 USB support (HS, FS, LS)         | HS, FS, LS                   |
| Downstream port 2 USB support (HS, FS, LS)         | HS, FS, LS                   |
| Downstream port 3 USB support (HS, FS, LS)         | HS, FS, LS                   |
| Downstream port 4 USB support (HS, FS, LS)         | HS, FS, LS                   |
| Number of removable downstream ports               | 4                            |
| Number of non-removable downstream ports           | 0                            |
| Full power management of downstream ports          | Yes (FULLPWRMGMTZ = 0)       |
| Individual control of downstream port power switch | Yes (GANGED = 0)             |
| Power switch enable polarity                       | Active high (PWRCTL_POL = 1) |
| Battery charge support for downstream port 1       | Yes                          |
| Battery charge support for downstream port 2       | Yes                          |
| Battery charge support for downstream port 3       | Yes                          |
| Battery charge support for downstream port 4       | Yes                          |
| I <sup>2</sup> C EEPROM support                    | No                           |
| 24-MHz clock source                                | Crystal                      |

### 9.2.2 Detailed Design Procedure

#### 9.2.2.1 Upstream Port Implementation



Copyright © 2016, Texas Instruments Incorporated

**Figure 26. Upstream Port Implementation**

The upstream of the TUSB4041I device is connected to a USB2 Type B connector. This particular example has GANGED pin and FULLPWRMGMTZ pin pulled low, which results in individual power support each downstream port. The VBUS signal from the USB2 Type B connector is feed through a voltage divider. The purpose of the voltage divider is to make sure the level meets USB\_VBUS input requirements

### 9.2.2.2 Downstream Port 1 Implementation

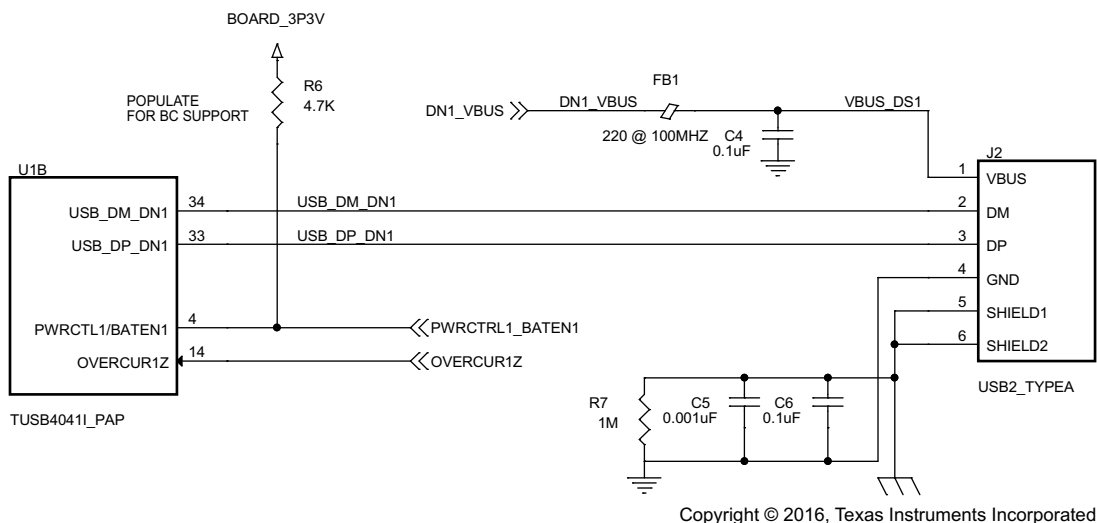


Figure 27. Downstream Port 1 Implementation

The downstream port 1 of the TUSB40411 device is connected to a USB2 type A connector. With BATEN1 pin pulled up, battery charge support is enabled for Port 1. If battery charge support is not needed, then uninstall the pullup resistor on BATEN1.

### 9.2.2.3 Downstream Port 2 Implementation

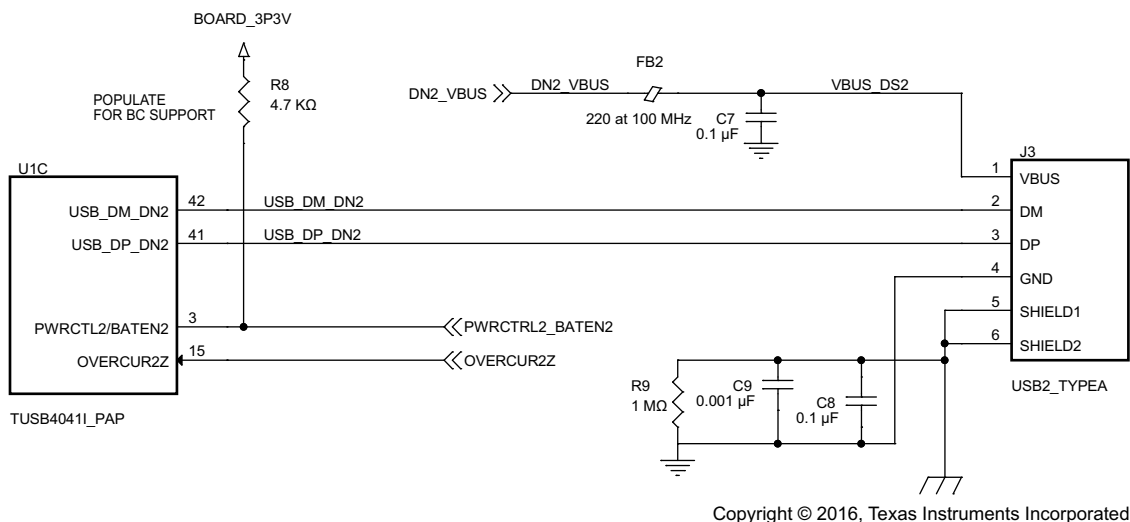
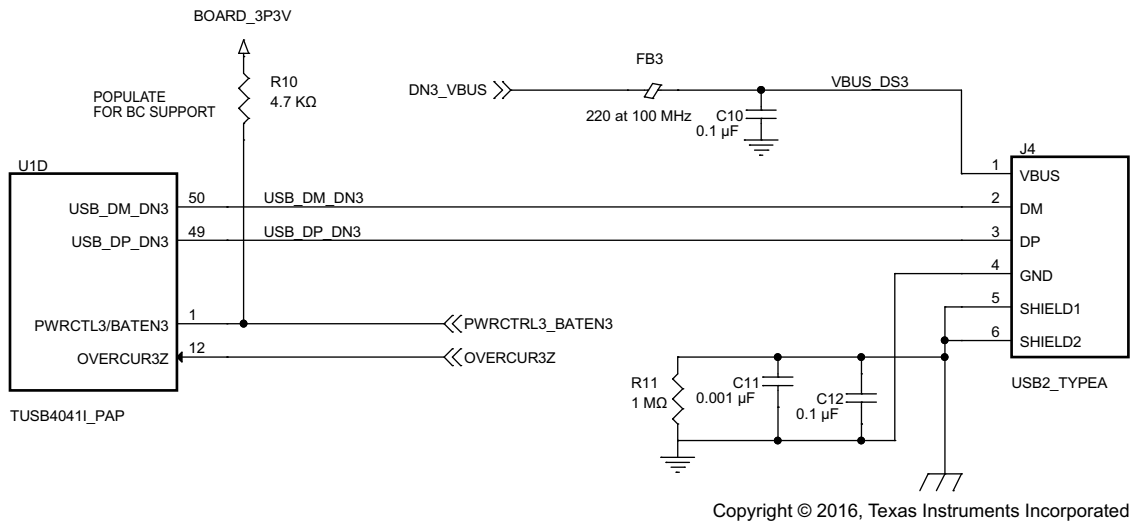


Figure 28. Downstream Port 2 Implementation

The downstream port 2 of the TUSB40411 device is connected to a USB2 type A connector. With BATEN2 pin pulled up, battery charge support is enabled for port 2. If battery charge support is not needed, then uninstall the pullup resistor on BATEN2.

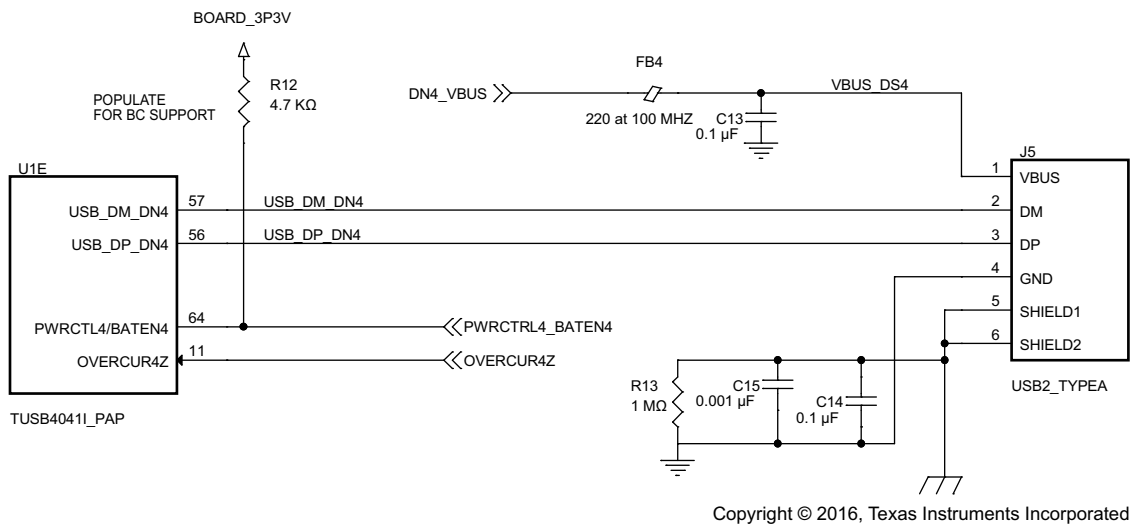
**9.2.2.4 Downstream Port 3 Implementation**



**Figure 29. Downstream Port 3 Implementation**

The downstream port3 of the TUSB4041I device is connected to a USB2 type A connector. With BATEN3 pin pulled up, battery charge support is enabled for port 3. If battery charge support is not needed, then uninstall the pullup resistor on BATEN3.

**9.2.2.5 Downstream Port 4 Implementation**

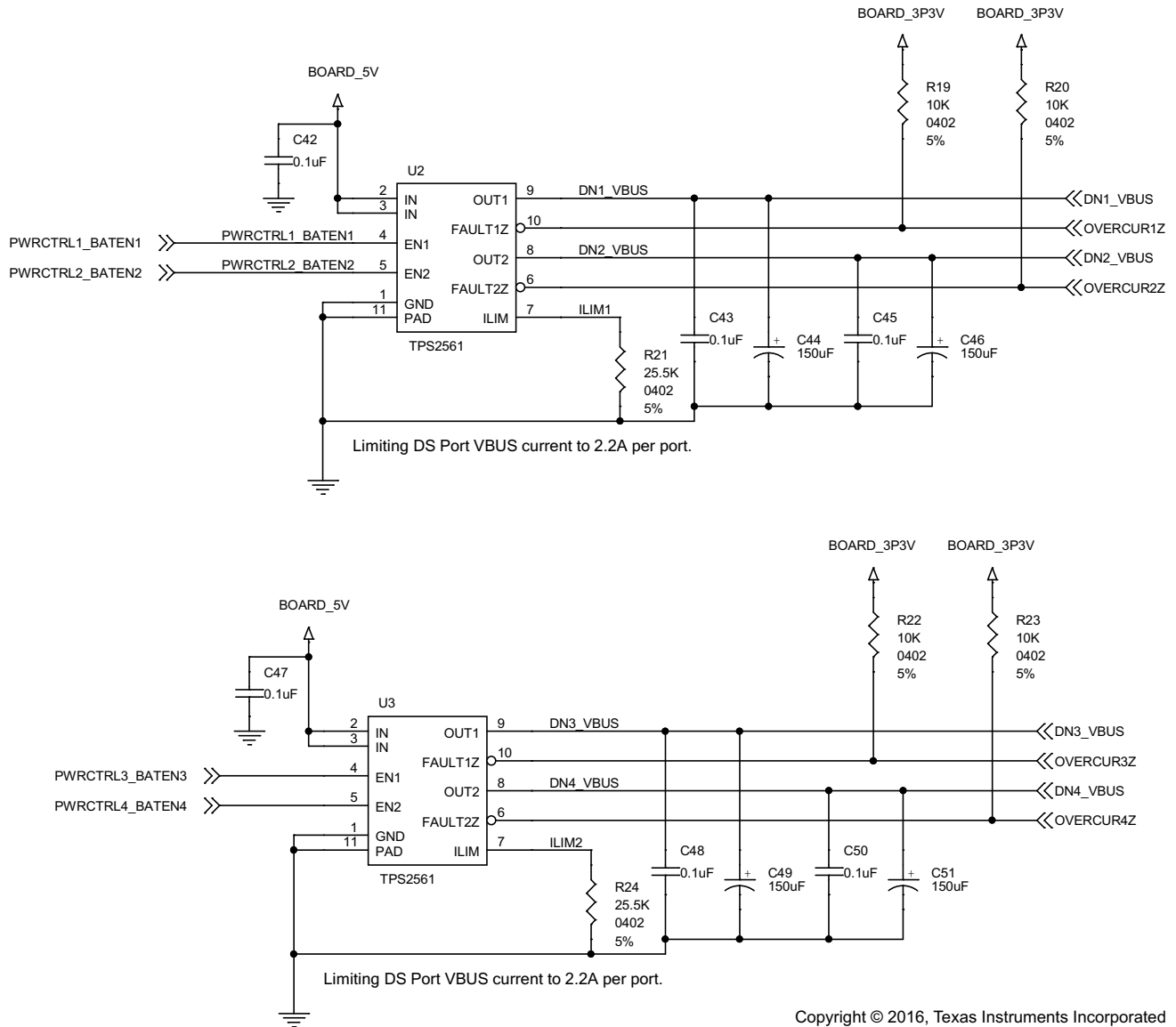


**Figure 30. Downstream Port 4 Implementation**

The downstream port 4 of the TUSB4041I device is connected to a USB2 Type A connector. With BATEN4 pin pulled up, Battery Charge support is enabled for Port 4. If Battery Charge support is not needed, then uninstall the pullup resistor on BATEN4.



9.2.2.6 VBUS Power Switch Implementation



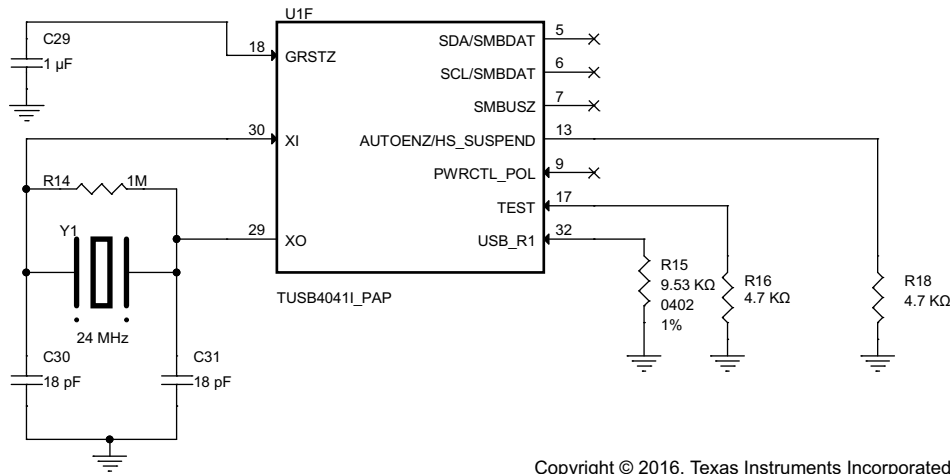
Copyright © 2016, Texas Instruments Incorporated

Figure 31. VBUS Power Switch Implementation

This particular example uses TI's [TPS2561](http://www.ti.com) dual-channel precision adjustable current-limited power switch. For details on this power switch or other power switches available from TI, refer to [www.ti.com](http://www.ti.com).

**9.2.2.7 Clock, Reset, and Miscellaneous**

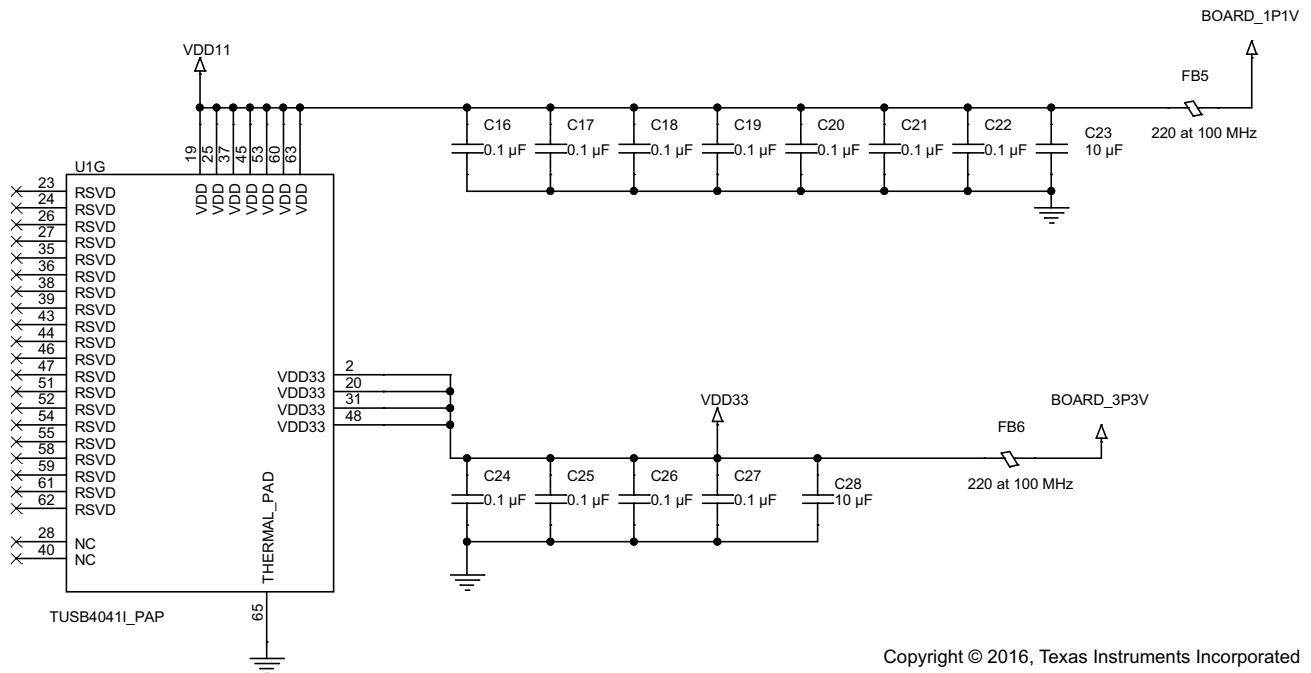
The PWRCTL\_POL is left unconnected which results in active-high power enable (PWRCTL1, PWRCTL2, PWRCTL3, and PWRCTL4) for a USB VBUS power switch. The 1- $\mu$ F capacitor on the GRSTN pin can only be used if the VDD11 supply is stable before the VDD33 supply. Depending on the supply ramp of the two supplies, the user may need to adjust the capacitor.



Copyright © 2016, Texas Instruments Incorporated

**Figure 32. Clock, Reset, and Miscellaneous**

**9.2.2.8 TUSB4041I Power Implementation**



Copyright © 2016, Texas Instruments Incorporated

**Figure 33. TUSB4041I Power Implementation**

### 9.2.3 Application Curves

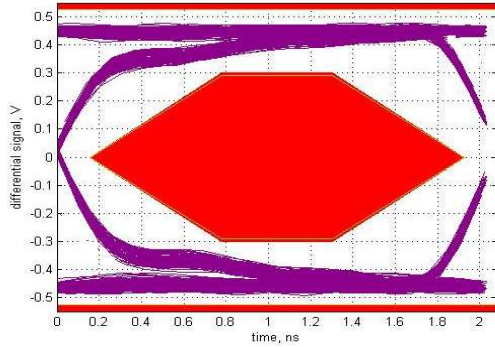


Figure 34. High-Speed Upstream Port

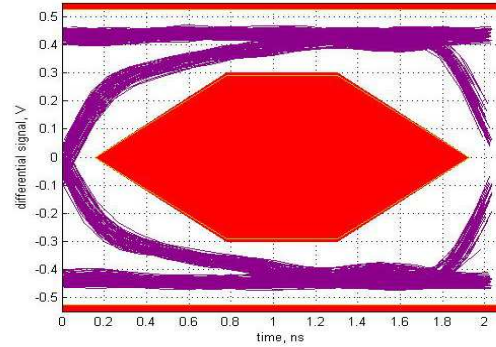


Figure 35. High-Speed Downstream Port 1

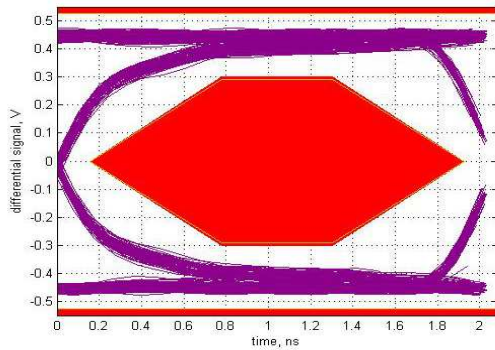


Figure 36. High-Speed Downstream Port 2

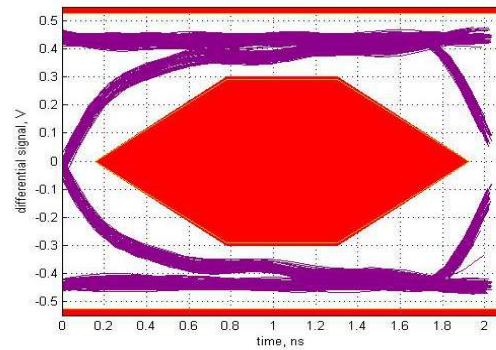


Figure 37. High-Speed Downstream Port 3

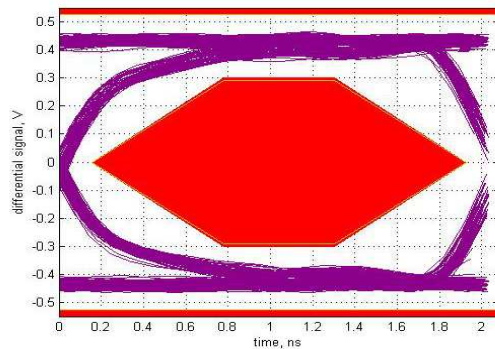


Figure 38. High-Speed Downstream Port 4

## 10 Power Supply Recommendations

### 10.1 TUSB4041I Power Supply

The user should implement  $V_{DD}$  as a single power plane, as well as  $V_{DD33}$ .

- The  $V_{DD}$  pins of the TUSB4041I supply 1.1-V (nominal) power to the core of the TUSB4041I device. This power rail can be isolated from all other power rails by a ferrite bead to reduce noise.
- The DC resistance of the ferrite bead on the core power rail can affect the voltage provided to the device because of the high current draw on the power rail. The user may need to adjust the output of the core voltage regulator to account for this, or select a ferrite bead with low DC resistance (less than  $0.05\ \Omega$ ).
- The  $V_{DD33}$  pins of the TUSB4041I device supply 3.3-V power rail to the I/O of the TUSB4041I device. This power rail can be isolated from all other power rails by a ferrite bead to reduce noise.
- All power rails require a 10- $\mu$ F capacitor or 1- $\mu$ F capacitors for stability and noise immunity. These bulk capacitors can be placed anywhere on the power rail. Place the smaller decoupling capacitors as close to the TUSB4041I power pins as possible with an optimal grouping of two capacitors of differing values per pin.

### 10.2 Downstream Port Power

- A source capable of supplying 5 V and up to 500 mA per port must supply the downstream port power, VBUS. The TUSB4041I signals can control the downstream port power switches. Leaving the downstream port power as always enabled is also possible.
- The VBUS of each downstream port requires a large-bulk low-ESR capacitor of 22  $\mu$ F or larger to limit in-rush current.
- TI recommends the ferrite beads on the VBUS pins of the downstream USB port connections for both ESD and EMI reasons. A 0.1- $\mu$ F capacitor on the USB connector side of the ferrite provides a low-impedance path to ground for fast rise time ESD current that might have coupled onto the VBUS trace from the cable.

### 10.3 Ground

TI recommends to use only one board ground plane in the design which provides the best image plane for signal traces running above the plane. Connect the thermal pad of the TUSB4041I and any of the voltage regulators to this plane with vias. An earth or chassis ground is implemented only near the USB port connectors on a different plane for EMI and ESD purposes.

## 11 Layout

### 11.1 Layout Guidelines

Use the layout guidelines listed in this section for proper PCB layout design.

#### 11.1.1 Placement

- Place a 9.53-k $\Omega$   $\pm$ 1% resistor connected to pin USB\_R1 as close as possible to the TUSB4041I device.
- Place a 0.1- $\mu$ F capacitor as close as possible on each V<sub>DD</sub> and VDD33 power pin.
- The ESD and EMI protection devices (if used) should also be placed as close as possible to the USB connector.
- If a crystal is used, it must be placed as close as possible to the XI and XO pins of the TUSB4041I device.
- Place voltage regulators as far away as possible from the TUSB4041I device, the crystal, and the differential pairs.
- In general, the user should place the large bulk capacitors associated with each power rail as close as possible to the voltage regulators.

#### 11.1.2 Package Specific

- The TUSB4041I device package has a 0.5-mm pin pitch.
- The TUSB4041I device package has a 4.64-mm  $\times$  4.64-mm thermal pad. This thermal pad must be connected to ground through a system of vias.
- Solder mask all vias under device, except for those connected to the thermal pad, to avoid any potential issues with thermal pad layouts.

#### 11.1.3 Differential Pairs

This section describes the layout recommendations for all the TUSB4041I device differential pairs: USB\_DP\_XX, USB\_DM\_XX.

- The differential pairs must be designed with a differential impedance of 90  $\Omega$   $\pm$  10%.
- To minimize crosstalk, TI recommends to keep high-speed signals away from each other. Each pair should be separated by at least 5 times the signal trace width. Separating with ground as depicted in the layout example also helps minimize crosstalk.
- Route all differential pairs on the same layer adjacent to a solid ground plane.
- Do not route differential pairs over any plane split.
- Adding test points causes impedance discontinuity and therefore negatively impacts signal performance. If test points are used, place them in series and symmetrically. Do not place them in a manner that causes stub on the differential pair.
- Avoid 90° turns in trace. Keep the use of bends in differential traces to a minimum. When bends are used, the number of left and right bends should be as equal as possible and the angle of the bend should be  $\geq$ 135°. This guideline minimizes any length mismatch caused by the bends and therefore minimize the impact bends have on EMI.
- Minimize the trace lengths of the differential pair traces. Eight inches is the maximum recommended trace length for USB 2.0 differential pair signals. Longer trace lengths require very careful routing to assure proper signal integrity.
- Match the etch lengths of the differential pair traces (that is DP and DM). The USB 2.0 differential pairs should not exceed 50 mils relative trace length difference.
- Minimize the use of vias in the differential pair paths as much as possible. If this is not practical, make sure that the same via type and placement are used for both signals in a pair. Place any vias used as close as possible to the TUSB4041I device.
- To ease routing of the USB 2.0 DP and DM pair, the polarity of these pins can be swapped. If this is done, set the appropriate Px\_usb2pol register, where x = 0, 1, 2, 3, or 4.
- Do not place power fuses across the differential pair traces.

## 11.2 Layout Example

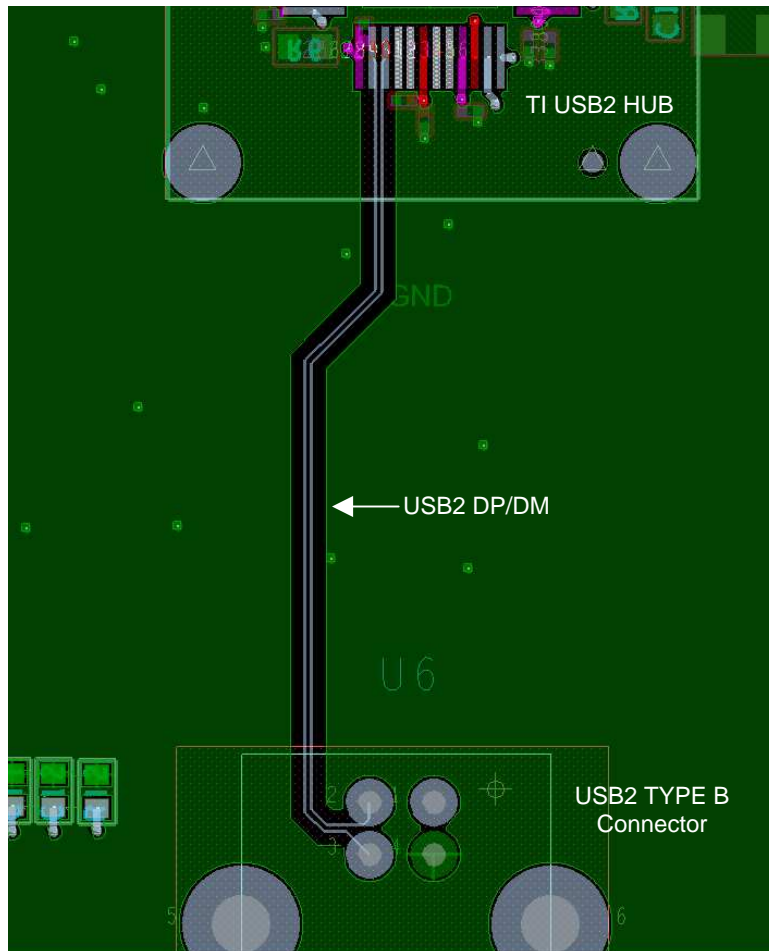


Figure 39. Example Routing of Upstream Port

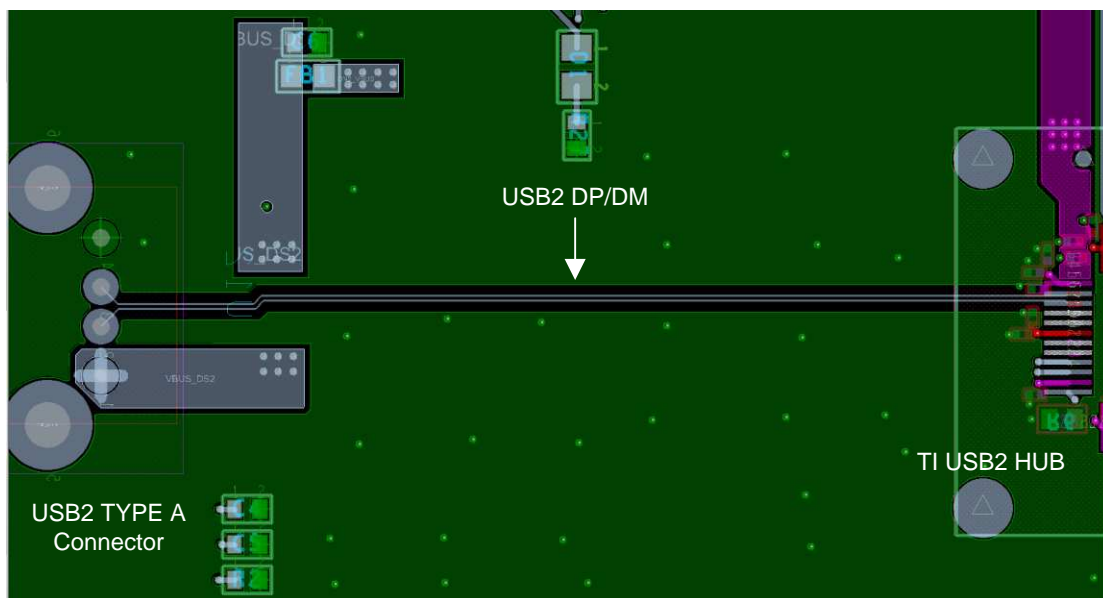


Figure 40. Example Routing of Downstream Port

## 12 Device and Documentation Support

### 12.1 Documentation Support

#### 12.1.1 Related Documentation

For related documentation see the following:

- *Selection and Specification of Crystals for Texas Instruments USB 2.0 Devices*, [SLLA122](#)
- *TPS2561 Dual-Channel Precision Adjustable Current-limited Power Switches*, [SLVS930](#)
- *TUSB4041PAP Evaluation Module*, [SLLU227](#)

### 12.2 Receiving Notification of Documentation Updates

To receive notification of documentation updates — go to the product folder for your device on ti.com. In the upper right-hand corner, click the *Alert me* button to register and receive a weekly digest of product information that has changed (if any). For change details, check the revision history of any revised document.

### 12.3 Community Resource

The following links connect to TI community resources. Linked contents are provided "AS IS" by the respective contributors. They do not constitute TI specifications and do not necessarily reflect TI's views; see TI's [Terms of Use](#).

**TI E2E™ Online Community** *TI's Engineer-to-Engineer (E2E) Community*. Created to foster collaboration among engineers. At [e2e.ti.com](#), you can ask questions, share knowledge, explore ideas and help solve problems with fellow engineers.

**Design Support** *TI's Design Support* Quickly find helpful E2E forums along with design support tools and contact information for technical support.

### 12.4 Trademarks

PowerPAD, E2E are trademarks of Texas Instruments.  
All other trademarks are the property of their respective owners.

### 12.5 Electrostatic Discharge Caution



These devices have limited built-in ESD protection. The leads should be shorted together or the device placed in conductive foam during storage or handling to prevent electrostatic damage to the MOS gates.

### 12.6 Glossary

[SLYZ022](#) — *TI Glossary*.

This glossary lists and explains terms, acronyms, and definitions.

## 13 Mechanical, Packaging, and Orderable Information

The following pages include mechanical, packaging, and orderable information. This information is the most current data available for the designated devices. This data is subject to change without notice and revision of this document. For browser-based versions of this data sheet, refer to the left-hand navigation.

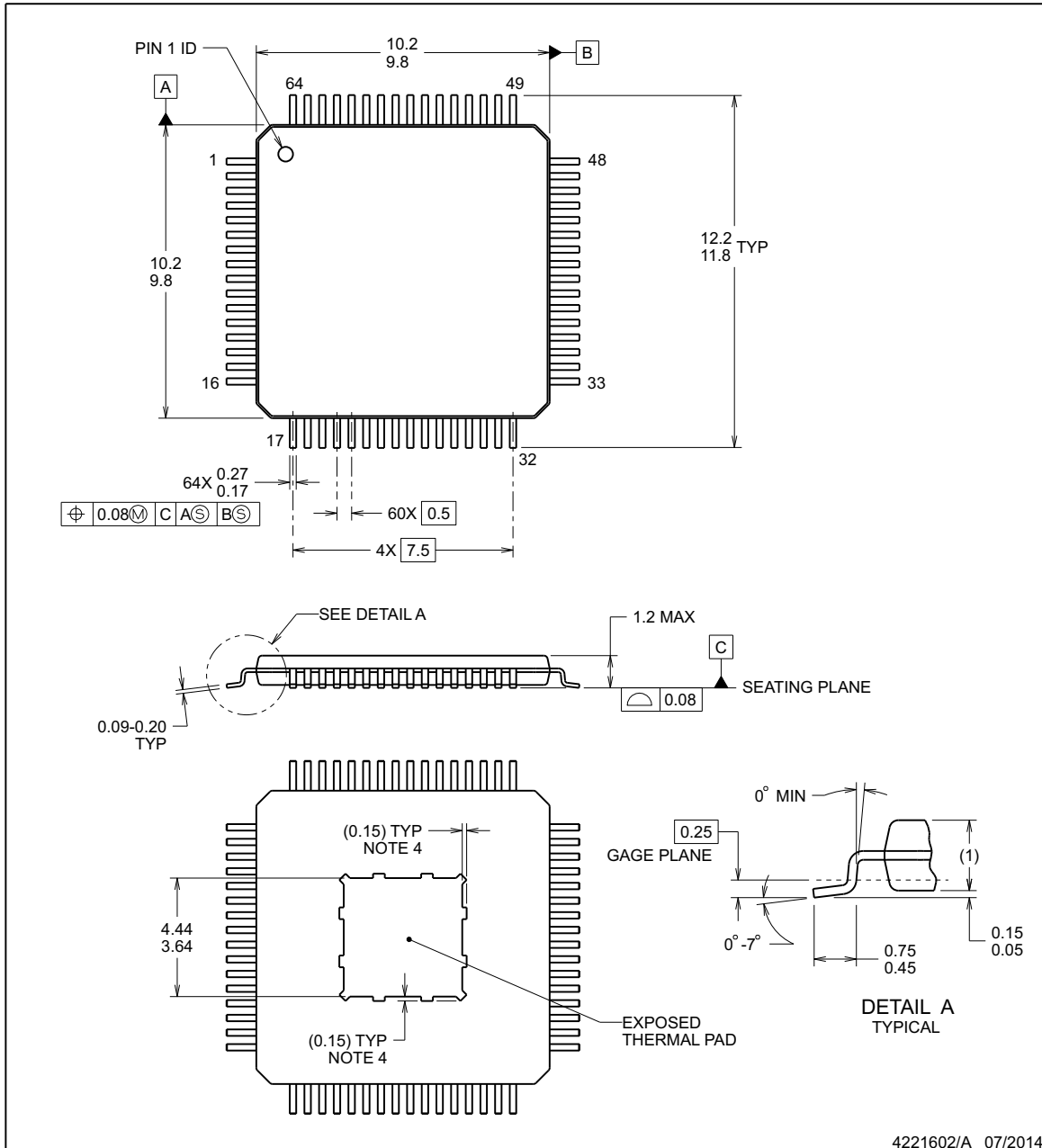


PACKAGE OUTLINE

PAP0064M

PowerPAD™ - 1.2 mm max height

FPA1ASSTCC001A1ADFF1A1ATPA00K



4221602/A 07/2014

PowerPAD is a trademark of Texas Instruments.

NOTES:

1. All linear dimensions are in millimeters. Any dimensions in parenthesis are for reference only. Dimensioning and tolerancing per ASME Y14.5M.
2. This drawing is subject to change without notice.
3. Reference JEDEC registration MS-026, variation ACD.
4. Strap features may not be present,

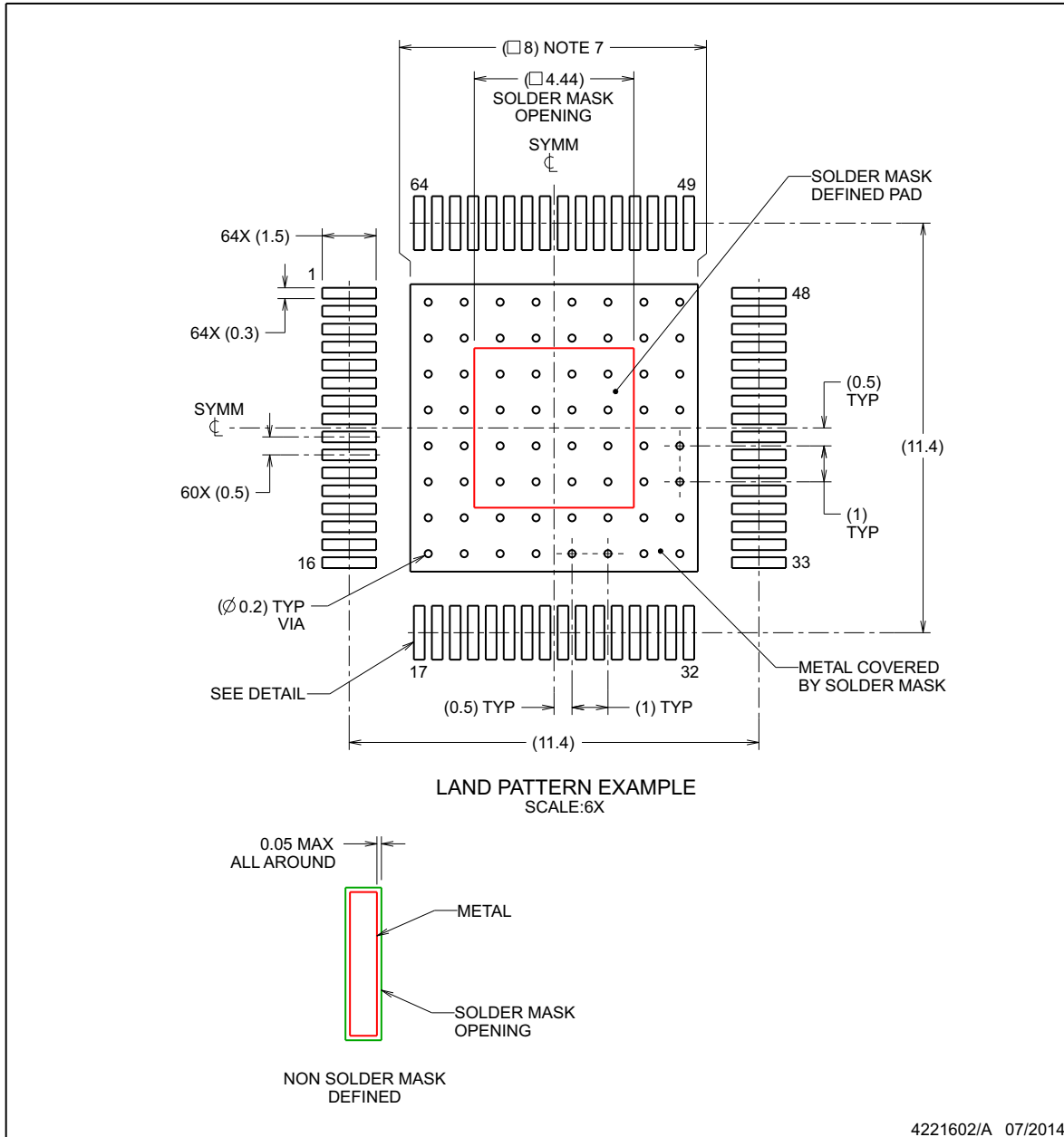


EXAMPLE BOARD LAYOUT

PAP0064M

PowerPAD™ - 1.2 mm max height

PLASTIC QUAD FLATPACK



NOTES: (continued)

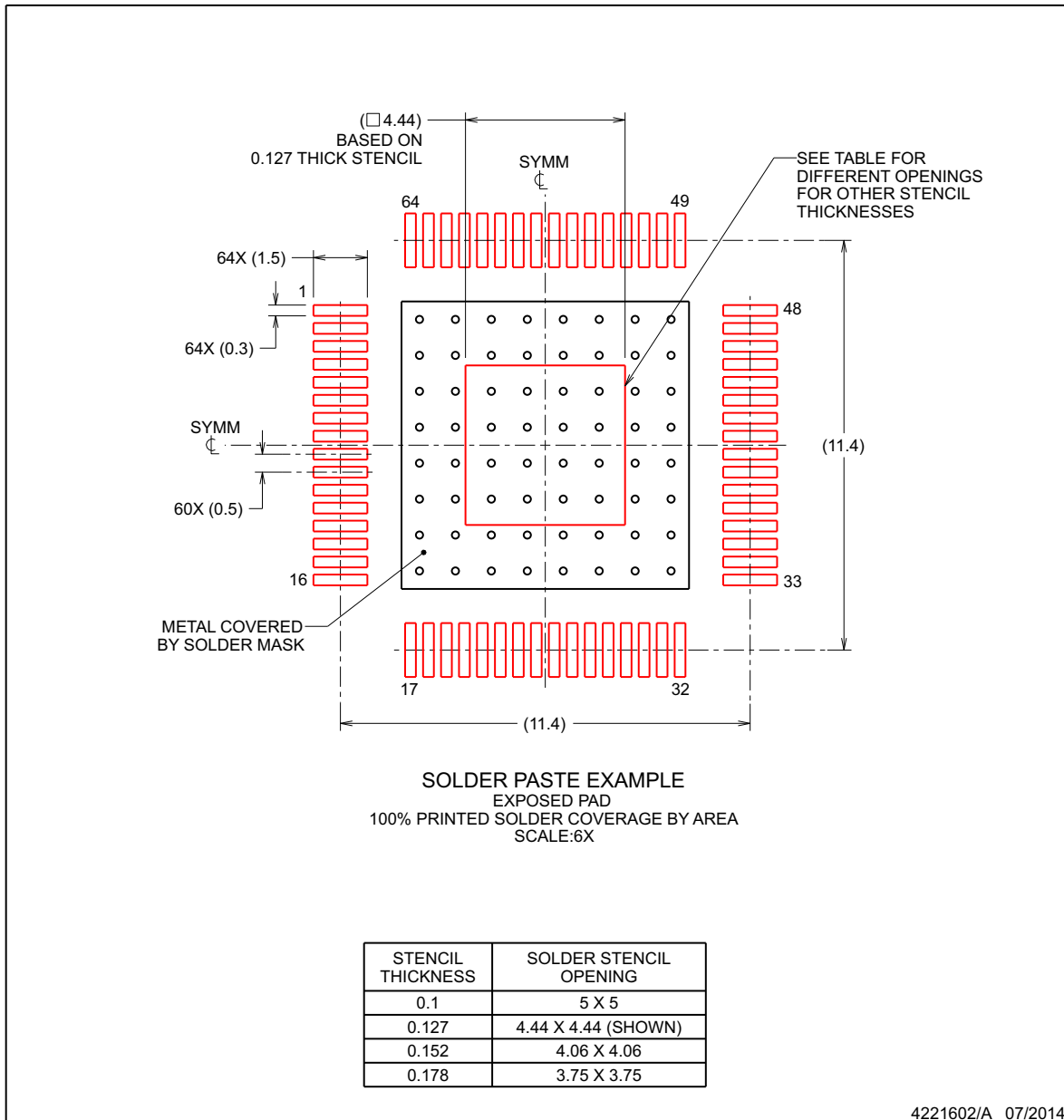
- 5. Publication IPC-7351 may have alternate designs.
- 6. Solder mask tolerances between and around signal pads can vary based on board fabrication site.
- 7. This package is designed to be soldered to a thermal pad on the board. For more information, see Texas Instruments literature numbers SLMA002 ([www.ti.com/lit/slm002](http://www.ti.com/lit/slm002)) and SLMA004 ([www.ti.com/lit/slma004](http://www.ti.com/lit/slma004)).
- 8. Size of metal pad may vary due to creepage requirement.

## EXAMPLE STENCIL DESIGN

### PAP0064M

### PowerPAD™ - 1.2 mm max height

PLASTIC QUAD FLATPACK



NOTES: (continued)

9. Laser cutting apertures with trapezoidal walls and rounded corners may offer better paste release. IPC-7525 may have alternate design recommendations.
10. Board assembly site may have different recommendations for stencil design.

**PACKAGING INFORMATION**

| Orderable Device | Status<br>(1) | Package Type | Package<br>Drawing | Pins | Package<br>Qty | Eco Plan<br>(2) | Lead finish/<br>Ball material<br>(6) | MSL Peak Temp<br>(3) | Op Temp (°C) | Device Marking<br>(4/5) | Samples                 |
|------------------|---------------|--------------|--------------------|------|----------------|-----------------|--------------------------------------|----------------------|--------------|-------------------------|-------------------------|
| TUSB4041IPAP     | ACTIVE        | HTQFP        | PAP                | 64   | 160            | RoHS & Green    | NIPDAU                               | Level-3-260C-168 HR  | -40 to 85    | TUSB40411               | <a href="#">Samples</a> |
| TUSB4041IPAPR    | ACTIVE        | HTQFP        | PAP                | 64   | 1000           | RoHS & Green    | NIPDAU                               | Level-3-260C-168 HR  | -40 to 85    | TUSB40411               | <a href="#">Samples</a> |

(1) The marketing status values are defined as follows:

**ACTIVE:** Product device recommended for new designs.

**LIFEBUY:** TI has announced that the device will be discontinued, and a lifetime-buy period is in effect.

**NRND:** Not recommended for new designs. Device is in production to support existing customers, but TI does not recommend using this part in a new design.

**PREVIEW:** Device has been announced but is not in production. Samples may or may not be available.

**OBSOLETE:** TI has discontinued the production of the device.

(2) **RoHS:** TI defines "RoHS" to mean semiconductor products that are compliant with the current EU RoHS requirements for all 10 RoHS substances, including the requirement that RoHS substance do not exceed 0.1% by weight in homogeneous materials. Where designed to be soldered at high temperatures, "RoHS" products are suitable for use in specified lead-free processes. TI may reference these types of products as "Pb-Free".

**RoHS Exempt:** TI defines "RoHS Exempt" to mean products that contain lead but are compliant with EU RoHS pursuant to a specific EU RoHS exemption.

**Green:** TI defines "Green" to mean the content of Chlorine (Cl) and Bromine (Br) based flame retardants meet JS709B low halogen requirements of <=1000ppm threshold. Antimony trioxide based flame retardants must also meet the <=1000ppm threshold requirement.

(3) MSL, Peak Temp. - The Moisture Sensitivity Level rating according to the JEDEC industry standard classifications, and peak solder temperature.

(4) There may be additional marking, which relates to the logo, the lot trace code information, or the environmental category on the device.

(5) Multiple Device Markings will be inside parentheses. Only one Device Marking contained in parentheses and separated by a "~" will appear on a device. If a line is indented then it is a continuation of the previous line and the two combined represent the entire Device Marking for that device.

(6) Lead finish/Ball material - Orderable Devices may have multiple material finish options. Finish options are separated by a vertical ruled line. Lead finish/Ball material values may wrap to two lines if the finish value exceeds the maximum column width.

**Important Information and Disclaimer:**The information provided on this page represents TI's knowledge and belief as of the date that it is provided. TI bases its knowledge and belief on information provided by third parties, and makes no representation or warranty as to the accuracy of such information. Efforts are underway to better integrate information from third parties. TI has taken and continues to take reasonable steps to provide representative and accurate information but may not have conducted destructive testing or chemical analysis on incoming materials and chemicals. TI and TI suppliers consider certain information to be proprietary, and thus CAS numbers and other limited information may not be available for release.

In no event shall TI's liability arising out of such information exceed the total purchase price of the TI part(s) at issue in this document sold by TI to Customer on an annual basis.

**OTHER QUALIFIED VERSIONS OF TUSB4041I :**

- Automotive: [TUSB4041I-Q1](#)

## NOTE: Qualified Version Definitions:

- Automotive - Q100 devices qualified for high-reliability automotive applications targeting zero defects

## TAPE AND REEL INFORMATION



### QUADRANT ASSIGNMENTS FOR PIN 1 ORIENTATION IN TAPE



\*All dimensions are nominal

| Device        | Package Type | Package Drawing | Pins | SPQ  | Reel Diameter (mm) | Reel Width W1 (mm) | A0 (mm) | B0 (mm) | K0 (mm) | P1 (mm) | W (mm) | Pin1 Quadrant |
|---------------|--------------|-----------------|------|------|--------------------|--------------------|---------|---------|---------|---------|--------|---------------|
| TUSB4041IPAPR | HTQFP        | PAP             | 64   | 1000 | 330.0              | 24.4               | 13.0    | 13.0    | 1.5     | 16.0    | 24.0   | Q2            |

TAPE AND REEL BOX DIMENSIONS



\*All dimensions are nominal

| Device        | Package Type | Package Drawing | Pins | SPQ  | Length (mm) | Width (mm) | Height (mm) |
|---------------|--------------|-----------------|------|------|-------------|------------|-------------|
| TUSB4041IPAPR | HTQFP        | PAP             | 64   | 1000 | 367.0       | 367.0      | 55.0        |

## IMPORTANT NOTICE AND DISCLAIMER

TI PROVIDES TECHNICAL AND RELIABILITY DATA (INCLUDING DATASHEETS), DESIGN RESOURCES (INCLUDING REFERENCE DESIGNS), APPLICATION OR OTHER DESIGN ADVICE, WEB TOOLS, SAFETY INFORMATION, AND OTHER RESOURCES "AS IS" AND WITH ALL FAULTS, AND DISCLAIMS ALL WARRANTIES, EXPRESS AND IMPLIED, INCLUDING WITHOUT LIMITATION ANY IMPLIED WARRANTIES OF MERCHANTABILITY, FITNESS FOR A PARTICULAR PURPOSE OR NON-INFRINGEMENT OF THIRD PARTY INTELLECTUAL PROPERTY RIGHTS.

These resources are intended for skilled developers designing with TI products. You are solely responsible for (1) selecting the appropriate TI products for your application, (2) designing, validating and testing your application, and (3) ensuring your application meets applicable standards, and any other safety, security, or other requirements. These resources are subject to change without notice. TI grants you permission to use these resources only for development of an application that uses the TI products described in the resource. Other reproduction and display of these resources is prohibited. No license is granted to any other TI intellectual property right or to any third party intellectual property right. TI disclaims responsibility for, and you will fully indemnify TI and its representatives against, any claims, damages, costs, losses, and liabilities arising out of your use of these resources.

TI's products are provided subject to TI's Terms of Sale ([www.ti.com/legal/termsofsale.html](http://www.ti.com/legal/termsofsale.html)) or other applicable terms available either on [ti.com](http://ti.com) or provided in conjunction with such TI products. TI's provision of these resources does not expand or otherwise alter TI's applicable warranties or warranty disclaimers for TI products.

Mailing Address: Texas Instruments, Post Office Box 655303, Dallas, Texas 75265  
Copyright © 2020, Texas Instruments Incorporated